

(19)



Europäisches Patentamt
European Patent Office
Office européen des brevets



(11)

EP 1 329 888 A1

(12)

EUROPEAN PATENT APPLICATION

(43) Date of publication:

23.07.2003 Bulletin 2003/30

(51) Int Cl.7: **G11B 20/18, G11B 27/32**

(21) Application number: **03000696.9**

(22) Date of filing: **17.01.2003**

(84) Designated Contracting States:

**AT BE BG CH CY CZ DE DK EE ES FI FR GB GR
HU IE IT LI LU MC NL PT SE SI SK TR**

Designated Extension States:

AL LT LV MK RO

(30) Priority: **22.01.2002 JP 2002013491**

01.03.2002 JP 2002056635

(71) Applicant: **MATSUSHITA ELECTRIC INDUSTRIAL
CO., LTD.**

Kadoma-shi, Osaka 571-8501 (JP)

(72) Inventors:

• **Ueda, Hiroshi**

Kashiba-shi, Nara 639-0223 (JP)

• **Ito, Motoshi**

Osaka-shi, Osaka 536-0001 (JP)

• **Ishida, Takashi**

Yawata-shi, Kyoto 614-8331 (JP)

• **Yamamoto, Yoshikazu**

Osaka-shi, Osaka 532-0022 (JP)

• **Shoji, Mamoru**

Sakai-shi, Osaka 591-8032 (JP)

(74) Representative: **Balsters, Robert et al**

Novagraaf International SA

25, avenue du Pailly

1220 Les Avanchets - Geneva (CH)

(54) **Multi-layered information recording medium, reproduction apparatus, recording apparatus, reproduction method, and recording method**

(57) A multi-layered information recording medium comprising a plurality of recording layers, a user data area for recording user data, provided in at least two of the plurality of recording layers, and a defect list storing area for storing a defect list. When at least one defective

area is detected in the user data area, the defect list is used to manage the at least one defective area. The defect list storing area is provided in only one of the plurality recording layers.

EP 1 329 888 A1

Description

BACKGROUND OF THE INVENTION

5 1. FIELD OF THE INVENTION:

[0001] The present invention relates to a multi-layered information recording medium comprising at least two recording layers, a reproduction apparatus, a recording apparatus for use with the multi-layered information recording medium, a reproduction method for reproducing information from the multi-layered information recording medium, and a recording method for recording information in the multi-layered information recording medium.

2. DESCRIPTION OF THE RELATED ART:

[0002] A typical information recording medium which has a sector structure is an optical disc. In recent years, AV data, such as audio data, video data, and the like, has been digitalized, and accordingly, an optical disc having a higher recording density and a larger capacity has been demanded. Providing a plurality of recording layers is useful in increasing the capacity of a disc. For example, the capacity of a read-only DVD has been increased about two times by providing two recording layers to the DVD.

[0003] Figure 1 shows a structure of a typical optical disc medium 1 including a track 2 and sectors 3. On the optical disc medium 1, the track 2 is turned multiple times in a spiral arrangement. The track 2 is divided into a large number of small sectors 3. Regions formed on the disc medium 1 are roughly classified into a lead-in area 4, a user data area 8, and a lead-out area 6. Recording or reproduction of user data is performed on the user data area 8. The lead-in area 4 and the lead-out area 6 are provided as margins such that an optical head (not shown) can appropriately follow a track even if overrunning of the optical head occurs when the optical head approaches an end portion of the user data area 8. The lead-in area 4 includes a disc information area which stores parameters necessary for accessing the disc medium 1. Physical sector numbers (hereinafter, abbreviated as "PSN(s)") are assigned to the sectors 3 in order to identify the respective sectors 3. Further, consecutive logical sector numbers (hereinafter, abbreviated as "LSN(s)") which start with 0 are assigned to the sectors 3 included in the user data area 8 such that a high level apparatus (not shown) such as a host computer identifies the respective sectors 3.

[0004] Figure 2 illustrates a principle of reproduction of data from a read-only optical disc 30 having two recording layers. Here, production of the read-only optical disc 30 of Figure 2 is briefly described. Grooves are formed on transparent substrates 31 and 32 so as to form spiral tracks. Over the grooved surfaces of the substrates 31 and 32, recording layers 33 and 34 are attached so as to cover the grooved surfaces, respectively. The substrates 31 and 32 are attached together so as to sandwich a transparent light-curable resin 35 between the recording layers 33 and 34, thereby obtaining a single read-only optical disc 30. In this specification, for convenience of description, in Figure 2, a recording layer 34 closer to the incoming laser light 38 is referred to as a first recording layer 34; whereas the other recording layer 33 is referred to as a second recording layer 33. The thickness and composition of the first recording layer 34 are adjusted such that the first recording layer 34 reflects a half of the incoming laser light 38 and transmits the other half of the incoming laser light 38. The thickness and composition of the second recording layer 33 are adjusted such that the second recording layer 33 reflects all of the incoming laser light 38. An objective lens 37 for converging the laser light 38 is moved toward or away from the read-only optical disc 30 such that the convergence point (beam spot) 36 of the laser light 38 is placed on the first recording layer 34 or the second recording layer 33.

[0005] Figures 3A, 3B, 3C and 3D show tracks of two recording layers 41 and 42 of a read-only DVD, which are called parallel paths, and the reproduction direction and sector numbers. Figure 3A shows a spiral groove pattern of the second recording layer 42. Figure 3B shows a spiral groove pattern of the first recording layer 41. Figure 3C shows the reproduction direction in user data areas 8 provided on the recording layers 41 and 42. Figure 3D shows sector numbers assigned to the recording layers 41 and 42.

[0006] Now, consider the read-only DVD disc is rotated clockwise when it is viewed from the back face side of the disc in the direction along which laser light comes onto the disc, i.e., when it is viewed from the back side of the sheets of Figures 3A and 3B. In this case, the laser light moves along the track 2 from the inner periphery to the outer periphery of the recording layers 41 and 42. In the case where user data is sequentially reproduced along the reproduction direction shown in Figure 3C, reproduction is first performed from the innermost periphery to the outermost periphery of the user data area 8 of the first recording layer 41. Then, reproduction is performed from the innermost periphery to the outermost periphery of the user data area 8 of the second recording layer 42. The user data areas 8 of the first and second recording layers 41 and 42 are sandwiched by the lead-in area 4 and the lead-out area 6 such that an optical head can appropriately follow the track 2 even if overrunning of the optical head occurs. As shown in Figure 3D, the PSNs and LSNs of each of the recording layers 41 and 42 are incrementally assigned along the reproduction direction. The PSNs do not necessarily need to start with 0 in view of convenience of disc formation. Further, the PSNs

do not necessarily need to be continuously assigned between the first and second recording layers **41** and **42** (for example, a value corresponding to the layer number may be provided at the first location of each sector number). As LSNs, consecutive numbers which start with 0 are assigned to all of the user data areas **8** included in the optical disc. That is, in the user data area **8** of the first recording layer **41**, the LSN at the innermost periphery is 0, and increases by ones toward the outermost perimeter. The LSN at the innermost periphery of the user data area **8** of the second recording layer **42** is a number obtained by adding 1 to the maximum LSN of the first recording layer **41**. The LSN of the second recording layer **42** also increments by ones toward the outermost perimeter.

[0007] Figures **4A**, **4B**, **4C** and **4D** show tracks of two recording layers **43** and **44** of a read-only DVD, which is called an opposite path arrangement, and the reproduction direction and sector numbers. Figure **4A** shows a spiral groove pattern of the second recording layer **44**. Figure **4B** shows a spiral groove pattern of the first recording layer **43**. Figure **4C** shows the reproduction direction in user data areas **8** provided on the recording layers **43** and **44**. Figure **4D** shows sector numbers assigned to the recording layers **43** and **44**.

[0008] Now, consider the read-only DVD disc is rotated clockwise when it is viewed from the back face side of the disc in the direction along which laser light comes onto the disc, i.e., when it is viewed from the back side of the sheets of Figures **4A** and **4B**. In this case, the laser light moves along the track **2** from the inner periphery to the outer periphery in the first recording layer **43**, but from the outer periphery to the inner periphery in the second recording layer **44**. In the case where user data is sequentially reproduced along the reproduction direction shown in Figure **4C**, reproduction is first performed from the innermost periphery to the outermost periphery of the user data area **8** of the first recording layer **43**, and then, reproduction is performed from the outermost periphery to the innermost periphery of the user data area **8** of the second recording layer **44**. The user data area **8** of the first recording layer **43** is sandwiched by the lead-in area **4** and a middle area **7** such that an optical head can appropriately follow the track **2** even if overrunning of the optical head occurs. The user data area **8** of the second recording layer **44** is sandwiched by the middle area **7** and the lead-out area **6**. The function of the middle area **7** is the same as that of the lead-out area **6**. As shown in Figure **4D**, the PSNs and LSNs of each of the recording layers **43** and **44** are incrementally assigned along the reproduction direction as in the above-described parallel paths, except that the relationship between the sector numbers and the radial direction is changed because the spiral direction of the track **2** of the second recording layer **44** is inverse to the spiral direction of the track **2** of the first recording layer **43**. In the user data area **8** of the first recording layer **43**, the LSN is 0 at the innermost periphery, and increments by ones toward the outer periphery. The LSN at the outermost periphery in the user data area **8** of the second recording layer **44** is a number obtained by adding 1 to the maximum LSN in the user data area **8** of the first recording layer **43**, and increments by ones toward the innermost perimeter.

[0009] Above, read-only optical discs have been described. Now, features specific to a rewritable optical disc are described. Such features result from the fact that requirements on a margin for a recording operation are more severe than that for a reproduction operation.

[0010] Figure **5A** shows an area layout of a typical rewritable disc **45**. The rewritable disc **45** includes only one recording layer. A lead-in area **4** of the rewritable disc **45** includes a disc information area **10** and an OPC (Optimum Power Calibration) area **11**, and a defect management area **12**. The lead-out area **6** includes another defect management area **12**. A user data area **8** and a spare area **13** are provided between a lead-in area **4** and a lead-out area **6**.

[0011] A disc information area **10** stores disc information regarding a parameter(s) or a format necessary for recording/reproduction of data of the optical disc. The disc information area **10** is also included in a read-only optical disc, but the disc information area **10** of the read-only optical disc includes nothing important other than a format identifier used for identifying the optical disc. On the other hand, in a rewritable optical disc, specific recommended values for the characteristics of the laser light used for recording, such as laser power, pulse width, and the like, are stored for each generated mark width. The disc information area **10** is a read-only area in which information is typically written at the time of production of the disc. In the rewritable disc **45**, pits are formed in the disc surface as in a DVD-ROM or a CD-ROM. (There is a recording principle different from such a "pit" recording principle. For example, in a CD-RW, information is embedded in a meandering pattern (called "wobble") of a groove.)

[0012] The OPC area **11** is provided for optimally adjusting the recording power of laser light. A disc manufacturer stores recommended laser parameters for a recording operation in the disc information area **10**. However, a laser element used by the disc manufacturer for obtaining the recommended values is different from a laser element incorporated in an optical disc drive apparatus, in respect to laser characteristics, such as the wavelength, the rising time of the laser power, and the like. Further, even a laser element of the same optical disc drive, the laser characteristics thereof vary because of a variation of the ambient temperature or deterioration which occurs over time. Thus, in an actual case, test recording is performed on the OPC area **11** while increasingly and decreasingly changing the laser parameters stored in the disc information area **10** so as to obtain an optimum recording power.

[0013] A defect management area **12** and a spare areas **13** are provided for defect management, i.e., provided for replacing a sector of the user data area **8** in which recording/reproduction cannot be appropriately performed (referred to as a "defective sector") with another well-conditioned (i.e., sufficiently usable) sector. In a rewritable single-layer optical disc, such as a 650 MB phase-change optical disc (called a PD) defined in the ECMA-240 format, or the like,

defect management is generally performed.

[0014] The spare area **13** includes a sector for replacing a defective sector (referred to as a spare sector). A sector which is already employed in place of a defective sector is referred to as a replacement sector. In a DVD-RAM, spare areas **13** are placed at two positions, one at the inner periphery and the other at the outer periphery of the user data area **8**. In the above-described PD, spare areas **13** are provided at 10 positions, and their arrangement varies depending on the medium. In the example of Figure **5**, for the sake of simplicity, a spare area **13** is provided at only one portion at the outer periphery of the user data area **8**.

[0015] The defect management area **12** includes: a disc definition structure (DDS) storing area **20** storing a format designed for defect management, which includes the size of the spare area **13** and the position where the spare area **13** is placed; a defect management sector (DMS) storing area **21** storing data for managing the defect of the defect management area **12** itself; a defect list (DL) storing area **22** storing a list of defects containing the positions of defective sectors and the positions of replacement sectors; and a spare defective list (spare DL) storing area **23** which is used to replace the defect list (DL) storing area **22** when it is not usable. In view of robustness, many discs are designed based on a specification such that each of the inner perimeter portion and outer perimeter portion of a disc has one defect management area **12**, and each defect management area **12** duplicately stores the same contents, i.e., the defect management areas **12** of the disc have the four copies of the same contents in total.

[0016] Figure **5B** shows data stored in a DMS **21**. The data stored in the DMS **21** are the number of DL sectors **30** which indicates the number of sectors storing a defect list, and a list of DL sector addresses **31** each of which indicates the address of a sector. For the sake of simplicity, DL storing areas **22** each are herein assumed to include only one sector. If it is determined that a DL storing area **22** is defective when updating a defect list because of detection of a new defective sector, the following spare DL storing area **23** is used to record the defect list. In this case, the DL sector address list **31** is updated so as to indicate the sector address of the spare DL storing **23**.

[0017] Figure **5C** shows data stored in a DL storing area **22**. The data stored in the DL storing area **22** are a DL identifier **32** which is a unique identifier for identifying a defect list, and the number of defective sectors **33** registered on the defect list. The DL storing area **22** further includes a plurality of defect entry areas **34** each including the address of a defective sector and the address of a replacement sector. It is now assumed that there are n defects registered (n is an integer greater than or equal to 3). In this case, the number of defective sectors **33** indicates n.

[0018] A first defect entry area **34** stores a replacement status **40**, a defective sector address **41**, and a replacement sector address **42**. In other words, a single defect entry area stores information relating to a process for replacing a single defective sector. The replacement status **40** is a flag indicating whether or not replacement is applied to a defective sector. When replacement is performed, a value 0 is set in the replacement status **40**. When replacement is not applied, a value 1 is set in the replacement status **40**. When the value 1 is set in the replacement status **40**, an optical disc drive apparatus accesses a defective sector. In this case, even if an error occurs in a read out process, the error is ignored and the read out process is continued while data contains the error. Such a process may be applied for recording and reproduction of video and audio data requiring continuous recording or reproduction. This is because interruptions in reproduction of video or audio due to replacement of a defective area with a distant spare area appears more significant than disturbances in video or audio due to the erroneous data itself. The defective sector address **41** contains the address of a sector which is determined to be defective. The replacement sector address **42** contains the address of a sector in a spare area **13**, which sector replaces a defective sector indicated by the defective sector address **41**. The n defect entry areas are arranged in ascending order of the address of a defective sector.

[0019] As described above, defect management is essential for rewritable optical discs to obtain substantially the same data reliability as that of read-only optical discs.

[0020] Although there are read-only optical discs having a plurality of recording layers, all existing rewritable optical discs have only a single recording layer. The above-described defect management for a rewritable optical disc is directed to management of only one recording layer.

[0021] If defect management as described above was simply applied to an optical disc having a plurality of recording layers, a defect management area would be provided for each recording layer. A defect management is separately performed for each recording layer. A typical recording/reproduction apparatus for rewritable optical discs transfers a defect list into a memory within the apparatus when the apparatus is actuated (initial process). This is because defect management information can be accessed at high speed, which is constantly referenced in recording and reproduction of user data. Therefore, when a recording/reproduction apparatus handles an optical disc having a plurality of recording layers, the apparatus needs to read all defect management areas in all recording layers when loading a disk into the apparatus. This poses a problem such that it takes a long time before starting actual recording or reproduction of a disc. Moreover, defect management is separately performed for each recording layer, and therefore, if a finite defect list storing area is exhausted in a certain recording layer, any defect list storing areas of other recording layers are not available for that exhausted recording layer. This poses a problem such that defect list storing areas cannot be efficiently used.

[0022] As used herein, the term "initial process" for an optical disc refers to a process in which defect management

information or the like is read out before recording or reproduction user data or the like on the disc when a recording/reproduction apparatus is actuated.

SUMMARY OF THE INVENTION

5

[0023] According to one aspect of the present invention, a multi-layered information recording medium comprises: a plurality of recording layers; a user data area for recording user data, provided in at least two of the plurality of recording layers; and a defect list storing area for storing a defect list, wherein when at least one defective area is detected in the user data area, the defect list is used to manage the at least one defective area.

10 **[0024]** In one embodiment of this invention, the multi-layered information recording medium may further comprise a defect list location information storing area for storing defect list location information indicating the location of the defect list storing area. The defect list location information storing area may be provided in one of the plurality of recording layers which is predetermined as a reference layer.

15 **[0025]** In one embodiment of this invention, the reference layer may be one of the plurality of recording layers which is located at a predetermined distance from the data read-out surface of the multi-layered information recording medium.

[0026] In one embodiment of this invention, the reference layer may be one of the plurality of recording layers which is located at the shortest distance from the data read-out surface of the multi-layered information recording medium.

20 **[0027]** In one embodiment of this invention, the reference layer may be one of the plurality of recording layers which is located at the longest distance from the data read-out surface of the multi-layered information recording medium.

[0028] In one embodiment of this invention, the defect list may indicate the location of the detected at least one defective area by a layer number for distinguishing the plurality of recording layer from each other and an intralayer address for indicating a position in each of the plurality of recording layers.

25 **[0029]** In one embodiment of this invention, the defect list storing area may be provided in one of the plurality of recording layer, and the defect list location information may indicate the location of the defect list storing area by a layer number for distinguishing the plurality of recording layer from each other and an intralayer address for indicating a position in each of the plurality of recording layers.

30 **[0030]** In one embodiment of this invention, the multi-layered information recording medium may further comprise a spare area containing at least one replacement area. When at least one defective area is detected in the user data area, the at least one replacement area may be used in place of the at least one defective area.

[0031] In one embodiment of this invention, when the defective area is replaced with the replacement area, the defect list may indicate the location of the defective area and the location of the replacement area by respective layer numbers for distinguishing the plurality of recording layers from each other and respective intralayer addresses for indicating a position in each of the plurality of recording layers.

35 **[0032]** In one embodiment of this invention, the defect list storing area may be provided one of the plurality of recording layers. The multi-layered information recording medium may further comprise an additional defect list storing area for storing a defect list having the same contents as the contents of the defect list stored in the defect list storing area. The additional defect list storing area may be provided in another one of the plurality of recording layers.

40 **[0033]** In one embodiment of this invention, the multi-layered information recording medium may further comprise a first defect list location information storing area for storing first defect list location information indicating the location of the defect list storing area, and a second defect list location information storing area for storing a second defect list location information indicating the location of the additional defect list storing area. The first defect list location information storing area may be provided in the same recording layer as that in which the defect list storing area is provided, and the second defect list location information storing area may be provided in the same recording layer as that in which the additional defect list storing area is provided.

45 **[0034]** In one embodiment of this invention, the recording layer in which the defect list storing area is provided may comprise a first defect management area containing the defect list storing area and the first defect list location information storing area. The recording layer in which the additional defect list storing area may be provided comprises a second defect management area containing the additional defect list storing area and the second defect list location information storing area. Logical addresses may be assigned to the user data area. An area of the user data area to which the smallest logical address is assigned is provided in the recording layer in which the defect list storing area may be provided. An area of the user data area to which the greatest logical address is assigned may be provided in the recording layer in which the additional defect list storing area is provided. The first defect management area may be adjacent to the area to which the smallest logical address is assigned. The second defect management area may be adjacent to the area to which the greatest logical address is assigned.

50 **[0035]** According to another aspect of the present invention, a multi-layered information recording medium comprises: a plurality of recording layers; a user data area for recording user data, provided in at least two of the plurality of recording layers; a defect management area provided in at least one of the plurality of recording layers; and a spare

defect list storing area provided in another one of the plurality of recording layers. The defect management area contains a plurality of first defect list storing areas for storing a defect list, wherein when at least one defective area is detected in the user data area, the defect list is used to manage the at least one defective area. The spare defect list storing area contains a plurality of second defect list storing areas capable of being used in place of the plurality of first defect list storing areas when none of the plurality of first defect list storing areas is usable.

[0036] In one embodiment of this invention, the defect management area and the spare defect list storing area may be located at substantially the same radial positions in the multi-layered information recording medium.

[0037] In one embodiment of this invention, the defect management area may further comprise a defect list location information storing area for storing defect list location information indicating the location of an area storing the defect list among the plurality of first defect list storing areas and the plurality of second spare defect list storing areas.

[0038] According to another aspect of the present invention, an apparatus for reproducing information recorded in a multi-layered information recording medium is provided. The multi-layered information recording medium comprises: a plurality of recording layers; a user data area for recording user data, provided in at least two of the plurality of recording layers; and a defect list storing area for storing a defect list, wherein when at least one defective area is detected in the user data area, the defect list is used to manage the at least one defective area. The apparatus comprises: an optical head section capable of optically reading the information recorded in the multi-layered information recording medium from one side of the multi-layered information recording medium; and a control section for controlling defect management using the optical head section. The defect management comprises the steps of: reproducing the defect list stored in the defect list storing area; and reproducing the user data recorded in the user data area based on the reproduced defect list.

[0039] In one embodiment of this invention, the multi-layered information recording medium may further comprise: a defect list location information storing area for storing defect list location information indicating the location of the defect list storing area, wherein the defect list location information storing area is provided in one of the plurality of recording layers which is predetermined as a reference layer, the defect management further comprises identifying the location of the defect list storing area by reproducing the defect list location information stored in the defect list location information storing area.

[0040] In one embodiment of this invention, the multi-layered information recording medium may further comprise: a spare area for containing at least one replacement area, wherein when at least one defective area is detected in the user data area, the at least one replacement area may be used in place of the at least one defective area. The defect list may indicate that a defective area present in the user data area is replaced with the replacement area contained in the spare area. The step of reproducing the user data may comprise reproducing user data from the replacement area indicated by the defect list instead of the defective area indicated by the defect list.

[0041] According to another aspect of the present invention, an apparatus for recording information in a multi-layered information recording medium is provided. The multi-layered information recording medium comprises: a plurality of recording layers; a user data area for recording user data, provided in at least two of the plurality of recording layers; and a defect list storing area for storing a defect list, wherein when at least one defective area is detected in the user data area, the defect list is used to manage the at least one defective area. The apparatus comprises: an optical head section capable of optically recording the information in the multi-layered information recording medium from one side of the multi-layered information recording medium; and a control section for controlling defect management using the optical head section. The defect management comprises the steps of: determining whether or not a defective area is present in the user data area during recording of user data in the user data area; and updating the defect list so as to manage a defective area when it is determined that the defective area is present in the user data area.

[0042] In one embodiment of this invention, the multi-layered information recording medium may further comprise an additional defect list storing area capable of being used in place of the defect list storing area when the defect list storing area is unusable. The defect management may further comprise recording a defect list having the same contents as the contents of a defect list stored in the defect list storing area to the additional defect list storing area, when the defect list storing area is unusable.

[0043] In one embodiment of this invention, the multi-layered information recording medium may further comprise: a defect list location information storing area for storing defect list location information indicating the location of a defect list. The defect list location information storing area may be provided in one of the plurality of recording layers which is predetermined as a reference layer. The defect management may further comprise updating the defect list location information so that the defect list location information indicates the additional defect list storing area, when the additional defect list storing area is used in place of the defect list storing area.

[0044] In one embodiment of this invention, the multi-layered information recording medium may further comprise: a defect management area provided in one of the plurality of recording layers; and a spare defect list storing area provided in another one of the plurality of recording layer. The defect management area may comprise a plurality of defect list storing areas, the spare defect list storing area comprises a plurality of additional defect list storing areas, the defect list storing area is one of the plurality of defect list storing areas, the additional defect list storing area is one

of the plurality of additional defect list storing area, and when none of the plurality of defect list storing areas is usable, the additional defect list storing area is used in place of the defect list storing area.

[0045] In one embodiment of this invention, the defect list storing area may be provided in one of the plurality of recording layers, and the additional defect list storing area may be provided in the same recording layer as that in which the defect list storing area is provided.

[0046] In one embodiment of this invention, the defect list storing area may be provided in one of the plurality of recording layers, and the additional defect list storing area may be provided in another one of the plurality of recording layers.

[0047] In one embodiment of this invention, the multi-layered information recording medium may further comprise: a spare area for containing at least one replacement area, wherein when at least one defective area is detected in the user data area, the at least one replacement area may be used in place of the at least one defective area. The defect management may further comprise replacing the defective area present in the user data area with the replacement area contained in the spare area.

[0048] According to another aspect of the present invention, a method for reproducing information recorded in a multi-layered information recording medium is provided. The multi-layered information recording medium comprises: a plurality of recording layers; a user data area for recording user data, provided in at least two of the plurality of recording layers; and a defect list storing area for storing a defect list, wherein when at least one defective area is detected in the user data area, the defect list is used to manage the at least one defective area. The method comprises the steps of: reproducing the defect list stored in the defect list storing area; and reproducing the user data recorded in the user data area based on the reproduced defect list.

[0049] In one embodiment of this invention, the multi-layered information recording medium may further comprise: a defect list location information storing area for storing defect list location information indicating the location of the defect list storing area. The defect list location information storing area may be provided in one of the plurality of recording layers which is predetermined as a reference layer. The method may further comprise identifying the location of the defect list storing area by reproducing the defect list location information stored in the defect list location information storing area.

[0050] In one embodiment of this invention, the multi-layered information recording medium may further comprise: a spare area for containing at least one replacement area, wherein when at least one defective area is detected in the user data area, the at least one replacement area may be used in place of the at least one defective area. The defect list may indicate that a defective area present in the user data area is replaced with the replacement area contained in the spare area. The step of reproducing the user data may comprise reproducing user data from the replacement area indicated by the defect list instead of the defective area indicated by the defect list.

[0051] According to another aspect of the present invention, a method for recording information in a multi-layered information recording medium is provided. The multi-layered information recording medium may comprise: a plurality of recording layers; a user data area for recording user data, provided in at least two of the plurality of recording layers; and a defect list storing area for storing a defect list, wherein when at least one defective area is detected in the user data area, the defect list is used to manage the at least one defective area. The method comprises the steps of: determining whether or not a defective area is present in the user data area during recording of user data in the user data area; and updating the defect list so as to manage a defective area when it is determined that the defective area is present in the user data area.

[0052] In one embodiment of this invention, the multi-layered information recording medium may further comprise an additional defect list storing area capable of being used in place of the defect list storing area when the defect list storing area is unusable. The method may further comprise recording a defect list having the same contents as the contents of a defect list stored in the defect list storing area to the additional defect list storing area, when the defect list storing area is unusable.

[0053] In one embodiment of this invention, the multi-layered information recording medium may further comprise: a defect list location information storing area for storing defect list location information indicating the location of a defect list. The defect list location information storing area may be provided in one of the plurality of recording layers which is predetermined as a reference layer. The method may further comprise updating the defect list location information so that the defect list location information indicates the additional defect list storing area, when the additional defect list storing area is used in place of the defect list storing area.

[0054] In one embodiment of this invention, the multi-layered information recording medium may further comprise: a defect management area provided in one of the plurality of recording layers; and a spare defect list storing area provided in another one of the plurality of recording layers. The defect management area may comprise a plurality of defect list storing areas. The spare defect list storing area may comprise a plurality of additional defect list storing areas. The defect list storing area may be one of the plurality of defect list storing areas. The additional defect list storing area is one of the plurality of additional defect list storing area. When none of the plurality of defect list storing areas is usable, the additional defect list storing area may be used in place of the defect list storing area.

[0055] In one embodiment of this invention, the defect list storing area may be provided in one of the plurality of recording layers, and the additional defect list storing area may be provided in the same recording layer as that in which the defect list storing area is provided.

5 [0056] In one embodiment of this invention, the defect list storing area may be provided in one of the plurality of recording layers, and the additional defect list storing area may be provided in another one of the plurality of recording layers.

[0057] In one embodiment of this invention, the multi-layered information recording medium may further comprise: a spare area for containing at least one replacement area, wherein when at least one defective area is detected in the user data area, the at least one replacement area may be used in place of the at least one defective area. The method
10 may further comprise replacing the defective area present in the user data area with the replacement area contained in the spare area.

[0058] Thus, the invention described herein makes possible the advantages of providing a defect management method capable of shortening the time required to read a defect management area in an initial process for a disc and efficiently managing defective areas.

15 [0059] These and other advantages of the present invention will become apparent to those skilled in the art upon reading and understanding the following detailed description with reference to the accompanying figures.

BRIEF DESCRIPTION OF THE DRAWINGS

20 [0060]

Figure 1 is a diagram showing a track and sectors in an optical disc.

Figure 2 is a diagram showing a principle of reproduction of an optical disc comprising two recording layers.

25

Figure 3A is a diagram showing a groove pattern of a second recording layer in a parallel path DVD.

Figure 3B is a diagram showing a groove pattern of a first recording layer in a parallel path DVD.

30

Figure 3C is a diagram showing a reproduction direction of a parallel path DVD.

Figure bis is a diagram showing assignment of sector numbers in a parallel path DVD.

35

Figure 4A is a diagram showing a groove pattern of a second recording layer in an opposite path DVD.

Figure 4B is a diagram showing a groove pattern of a first recording layer in an opposite path DVD.

Figure 4C is a diagram showing a reproduction direction of an opposite path DVD.

40

Figure bis is a diagram showing assignment of sector numbers in an opposite path DVD.

Figure 5A is a diagram showing locations of areas in a DVD-RAM.

45

Figure 5B is a diagram showing a data structure of a DMS shown in Figure 5A.

Figure 5C is a diagram showing a data structure of a DL shown in Figure 5A.

Figure 6 is a diagram showing locations of areas in a multi-layered information recording medium according to Embodiment 1 of the present invention.

50

Figure 7 is a diagram showing a data structure of a first defect management area in Embodiment 1 of the present invention.

55

Figure 8 is a diagram showing a data structure of a first spare DL storing area in Embodiment 1 of the present invention.

Figure 9 is a diagram showing the relationship between a first spare DL storing area and a DDS area in Embodiment 1 of the present invention.

Figure **10A** is a diagram showing locations of a first defect management area and a first spare DL storing area in Embodiment 1 of the present invention.

5 Figure **10B** is a diagram showing locations of a first defect management area and a first spare DL storing area in Embodiment 1 of the present invention.

Figure **10C** is a diagram showing locations of a first defect management area and a first spare DL storing area in Embodiment 1 of the present invention.

10 Figure **11** is a diagram showing locations of areas in a multi-layered information recording medium according to Embodiment 2 of the present invention.

Figure **12** is a diagram showing a data structure of a first defect management area in Embodiment 2 of the present invention.

15 Figure **13** is a diagram showing a recording/reproduction apparatus according to Embodiment 3 of the present invention.

Figure **14** is a flowchart for illustrating a procedure of obtaining defect management information in Embodiment 3 of the present invention.

Figure **15** is a flowchart for illustrating a reproduction procedure of sectors according to Embodiment 3 of the present invention, wherein replacement is considered.

25 Figure **16** is a flowchart for illustrating conversion of LSN to PSN in Embodiment 3 of the present invention.

Figure **17** is a flowchart for illustrating a procedure of updating defect management information in Embodiment 3 of the present invention.

30 Figure **18** is a flowchart for illustrating a recording procedure according to Embodiment 3 of the present invention, wherein replacement is considered.

Figure **19** is a diagram showing locations of areas in a multi-layered information recording medium according to Embodiment 4 of the present invention.

35 Figure **20** is a diagram showing a data structure of a first defect management area in a multi-layered information recording medium according to Embodiment 4 of the present invention.

40 Figure **21** is a diagram showing locations of areas in a multi-layered information recording medium according to Embodiment 5 of the present invention.

Figure **22** is a diagram showing locations of areas in a multi-layered information recording medium according to Embodiment 6 of the present invention.

45 DESCRIPTION OF THE PREFERRED EMBODIMENTS

(Embodiment 1)

50 **[0061]** Hereinafter, a multi-layered information recording medium according to Embodiment 1 of the present invention will be described with reference to the accompanying drawings. A multi-layered information recording medium as used herein refers to an information recording medium comprising at least two recording layers.

[0062] Figure **6** is a diagram showing a multi-layered information recording medium **600** according to Embodiment 1 of the present invention. The multi-layered information recording medium **600** comprises two recording layers **51** and **52**. The multi-layered information recording medium **600** contains a user data area **602** for recording user data. The user data area **602** straddles a boundary between the two recording layers **51** and **52**. In Embodiment 1 of the present invention, the upper recording layer (**51**) shown in Figure **6** is referred to as a first recording layer, and the lower recording layer (**52**) is referred to as a second recording layer.

55 **[0063]** The first recording layer **51** is located at a predetermined distance from a surface of the multi-layered infor-

mation recording medium **600** through which data is read out (data read-out surface). The first recording layer **51** is referred to as a reference layer. This predetermined distance is equal to a distance from the data read-out surface of an optical disc comprising only one recording layer to the recording layer. A reference layer is predetermined among a plurality of recording layers.

[0064] The first recording layer **51** contains, from the inner periphery to the outer periphery along the recording/reproduction direction of the multi-layered information recording medium **600**, a lead-in area **601**, a first user data area **15** which is a portion of the user data area **602**, and a middle area **603**. The second recording layer **52** contains, from the outer periphery to the inner periphery along the recording/reproduction direction of the multi-layered information recording medium **600**, a middle area **603**, a second user data area **16** which is a portion of the user data area **602**, and a lead-out area **604**.

[0065] The lead-in area **601** provided in the first recording layer **51** (reference layer) contains a control data area **610** for storing control information for the multi-layered information recording medium **600**, and a first defect management area **611** (DMA1) and a second defect management area **612** (DMA2) for recording defect management information relating to a defective area (defect management information contains disc definition structure data, a defect list, and the like). The middle area **603** of the first recording layer **51** contains a third defect management area **613** (DMA3) and a fourth defect management area **614** (DMA4). The first defect management area **611**, the second defect management area **612**, the third defect management area **613**, and the fourth defect management area **614** each store the same defect management information. This is because by duplicately recording the same defect management information in a plurality of areas on the inner periphery and outer periphery of the multi-layered information recording medium **600**, the reliability of the defect management information is improved. A defective area is herein a defective sector.

[0066] The middle area **603** of the second recording layer **52** contains a third spare defect list (DL) area **622** (spare DL3) and a fourth spare DL storing area **623** (spare DL4) for storing spare a defect list. The third spare DL storing area **622** (spare DL3) may be used in place of the third defect management area **613** (DMA3) of the first recording layer **51** when DMA3 is no longer appropriately recordable (unusable) due to degradation or the like. The fourth spare DL storing area **623** (spare DL4) may be used in place of the fourth defect management area **614** (DMA4) of the first recording layer **51** when DMA4 is no longer appropriately recordable (unusable) due to degradation or the like. The lead-out area **604** contains a first spare DL storing area **620** (spare DL1) and a second spare DL storing area **621** (spare DL2) for storing a spare defect list. The first spare DL storing area **620** (spare DL1) may be used in place of the first defect management area **611** (DMA1) of the first recording layer **51** when DMA1 is no longer appropriately recordable (unusable) due to degradation or the like. The second spare DL storing area **621** (spare DL2) may be used in place of the second defect management area **612** (DMA2) of the first recording layer **51** when DMA2 is no longer appropriately recordable (unusable) due to degradation or the like.

[0067] It is now assumed that as shown in Figure **6**, a defective area **A 630** is present in the first user data area **15**, and a defective area **B 631** is present in the second user data area **16**. Although the optical disc comprising the spare area **13** is described in the DESCRIPTION OF THE RELATED ART Section (Figure **5A**), the multi-layered information recording medium **600** of Embodiment 1 does not contain such a spare area. Therefore, none of the defective area **A 630** and the defective area **B 631** is replaced with a spare area.

[0068] Referring to Figure **7**, a data structure of the first defect management area **611** (DMA1) will be described below. Note that the first defect management area **611** (DMA1), the second defect management area **612** (DMA2), the third defect management area **613** (DMA3), and the fourth defect management area **614** (DMA4) each store the same defect management information. Here, the first defect management area **611** (DMA1) will be described.

[0069] The first defect management area **611** (DMA1) of the first recording layer **51** (reference layer) contains a disc definition structure (DDS) area **700** (DDS) and a plurality of defect list (DL) storing areas. In Embodiment 1, the first defect management area **611** (DMA1) contains a first DL storing area **701**, a second DL storing area **702**, a third DL storing area **703**, and a fourth DL storing area **704**. Not all of these DL storing areas are simultaneously used. Any one of the DL storing areas is used. In the example shown in Figure **7**, the first DL storing area **701** is a defective area, and the second DL storing area **702** is used. The third DL storing area **703** and the fourth DL storing area **704** are unused. The second DL storing area **702** stores a defect list (DL) **709**. When at least one defective area is detected in the use data area **602**, the defect list **709** is used to manage the detected defective area. The defect list **709** contains the defective area(s) detected in the user data area **602** and the location information of their replacement area(s). The DDS area **700** functions as a defect list location information storing area for storing defect list location information indicating the location of a DL storing area storing the defect list **709** (e.g., the second DL storing area **702** in Figure **7**). The DDS area **700** also stores information indicating a defect verification status or the like. If the second DL storing area **702** becomes defective due to repetition of write operations or the like, the third DL storing area **703** is used.

[0070] The DDS area **700** contains a DDS identifier **710** for identifying a DDS, a DL start sector layer number **711** indicating a recording layer containing a DL storing area currently used among a plurality of recording layers (a layer number may be any information which permits to distinguish a plurality of recording layers from each other), a DL start

sector number **712** indicating the location of a DL storing area currently used in a recording layer using a sector number which is uniquely identifiable in the recording layer, and a spare area size area **713** for storing information relating to the size of a spare area. The DL start sector layer number **711** and the DL start sector number area **712** contain defect list location information. Since the multi-layered information recording medium **600** does not contain a spare area, a value 0 is set in the spare area size area **713**. The spare area size area **713** can contain the number of recording layers, or a plurality of sizes depending on the location of a spare area. For the sake of simplicity, it is here assumed that when the multi-layered information recording medium **600** is provided with spare areas, a spare area having a size specified by the spare area size area **713** is provided in both the inner periphery and the outer periphery of each recording layer.

[0071] The defect list **709** contains a DL header **720** and two pieces of defect entry data. The DL header area **720** contains a DL identifier **731** for identifying a defect list, a DL update count **732** for indicating the number of repetitions of rewriting the defect list, and a number of DL entries **733** for indicating the number of defect entries stored in areas following the DL header **720**. In the example shown in Figure 7, two pieces of defect entry data, i.e., a defect entry A **721** and a defect entry B **722**, are registered, and therefore, the number of DL entries 733 indicates two.

[0072] The defect entry A **721** contains a replacement status flag **734**, a defective sector layer number **735**, a defective sector number **736**, a replacement sector layer number **737**, and a replacement sector number **738**. Similarly, the defect entry B **722** contains a replacement status flag **739**, a defective sector layer number **740**, a defective sector number **741**, a replacement sector layer number **742**, and a replacement sector number **743**. The data contained in the defect entry A **721** will be described. The replacement status flag **734** is a flag indicating whether or not a defective area is replaced with a spare area (normal area) and indicates a value 1 when no replacement is performed. In Embodiment 1, no spare area is allocated in the multi-layered information recording medium **600**, and therefore, a value 1 indicating no replacement is set in the replacement status flag **734**.

[0073] The defective sector layer number **735** indicates the layer number of a recording layer in which a defective area is detected. The replacement sector layer number **737** indicates the layer number of a recording layer in which a replacement area is provided. These layer numbers are any information which permits to distinguish a plurality of recording layers from each other. The defect entry A **721** is used to manage the defective area A **630** (Figure 6). The defect entry B **722** is used to manage the defective area B **631** (Figure 6). In this case, for example, a value 1 indicating the first recording layer **51** is set in the defective sector layer number **735**, while a value 2 indicating the second recording layer **52** is set in the defective sector layer number **740**. The defective sector number **736** indicates an identification value from which the location of a defective area is uniquely determined in the recording layer in which the defective area is detected. The sector number is a value which increments by ones from the inner periphery toward the outer periphery of the multi-layered information recording medium **600**, for example.

[0074] Even if the sector number of any sector in the first recording layer **51** is the two's complement of the sector number of a corresponding sector in the second recording layer **52** where the sectors are placed at the same radial position, the above-described conditions are satisfied as in the opposite paths of a DVD-ROM. For example, consider that physical sector numbers (PSNs) are represented in the 28-bit format, and the PSNs of the first recording layer **51** are within the range of 0000000h to 0FFFFFFh ("h" means that the value is represented by a hexadecimal number). When the PSN of a certain sector in the first recording layer **51** is 0123450h, the PSN of a corresponding sector in the second recording layer **52** at the same radial position is FEDCBAFh. In this case, the most significant bit of the PSN for the first layer is constantly 0 and the most significant bit of the PSN for the second layer is constantly F. Thus, the most significant bit can be used to indicate the layer number.

[0075] Similarly, a value capable of uniquely identifying the location of an area replacing a defective area is set in each of the replacement sector layer number **737** and the replacement sector number **738**. Note that in Embodiment 1, since there is no spare area, no replacement is performed. Therefore, 0 is set in each of the replacement sector layer numbers **737** and **742**, while 00000000h is set in each of the replacement sector numbers **738** and **743**.

[0076] If a defect management area (DMA) was separately provided in each of the first recording layer **51** and the second recording layer **52**, it is necessary for the recording/reproduction apparatus to read out defect management information from each recording layer as described above. However, as described above, the multi-layered information recording medium **600** according to Embodiment 1 of the present invention can obtain defect management information for all of the recording layers only by reading the defect management information from the reference layer. Therefore, it is possible to perform an initial process for the multi-layered information recording medium **600** simply and in a short time.

[0077] In the multi-layered information recording medium **600**, the defective areas of all of the recording layers are managed in a unified manner. Therefore, DL storing areas can be used more efficiently than when defective areas are managed for each recording layer. For example, an optical disc is assumed to comprise two recording layers containing a maximum total of 1000 sectors for which occurrence of a defective area is managed. In this case, when defect management information is separately stored in each recording layer, it is necessary to provide each layer with a DL storing area which can contain defect entries of a maximum of 1000 sectors. This is because it is necessary to handle

an unbalanced situation such that 950 defective sectors are present in the first recording layer **51** while no defective area is present in the second recording layer **52**. On the other hand, in the case of the multi-layered information recording medium **600** according to Embodiment 1 of the present invention, defective areas in all of the recording layers are managed in a unified manner using a DL storing area which can contain defect entries of a maximum of 1000 sectors, and therefore, the total size of all DL storing areas can be reduced.

[0078] Next, the first spare DL storing area **620** (spare DL1) included in the second recording layer **52** will be described with reference to Figure **8**. The first spare DL storing area **620** (spare DL1) contains a plurality of DL storing areas. In the multi-layered information recording medium **600** according to Embodiment 1 of the present invention, the first spare DL storing area **620** (spare DL1) contains four DL storing areas, i.e., a fifth DL storing area **705**, a sixth DL storing area **706**, a seventh DL storing area **707**, and an eighth DL storing area **708**, each of which is unused. A DL storing area contained in the first spare DL storing area **620** (spare DL1) is used in place of the DL storing areas contained in the first defect management area **611** (DMA1) when all of them are determined to be defective and unusable. A defect list having the same contents as those of a defect list stored in a DL storing area contained in the first defect management area **611** (DMA1) is stored in a DL storing area contained in the first spare DL storing area **620** (spare DL1).

[0079] As does the first spare DL storing area **620** (spare DL1), the second spare DL storing area **621** (spare DL2), the third spare DL storing area **622** (spare DL3), and the fourth spare DL storing area **623** (spare DL4) each contain a plurality of DL storing areas. A DL storing area contained in the second spare DL storing area **621** (spare DL2) is used in place of the DL storing areas contained in the second defect management area **612** (DMA2) when all of them are determined to be defective and unusable. A DL storing area contained in the third spare DL storing area **622** (spare DL3) is used in place of the DL storing areas contained in the third defect management area **613** (DMA3) when all of them are determined to be defective and unusable. A DL storing area contained in the fourth spare DL storing area **623** (spare DL4) is used in place of the DL storing areas contained in the fourth defect management area **614** (DMA4) when all of them are determined to be defective and unusable.

[0080] In the above-described case, when the first defect management area **611** (DMA1) is unusable, the first spare DL storing area **620** (spare DL1) is used. Alternatively, for example, another spare DL storing area, such as the second spare DL storing area **621** or the like, may be used.

[0081] Figure **9** shows an example of use of the first spare DL storing area **620** (spare DL1) in the second recording layer **52**. In the example of Figure **9**, four DL storing areas in the first defect management area **611** (DMA1) are determined to be defective. In this case, a defect list is recorded in a DL storing area of the first spare DL storing area **620** (spare DL1) contained in the second recording layer **52**. As shown in Figure **9**, when the fifth DL storing area **705** is also defective, the defect list **709** (Figure **7**) is recorded in the sixth DL storing area **706**. In this case, a value 2 which indicates the use of a DL storing area contained in the second recording layer **52**, is set in the DL start sector layer number **711** of the DDS area **700**. The sector number of the starting position of the sixth DL storing area **706** is stored in the DL start sector number **712**.

[0082] As described above, in the multi-layered information recording medium **600** according to Embodiment 1 of the present invention, the recording layer other than the reference layer contains a spare DL storing area. Therefore, even if a DL storing area in the reference layer becomes unusable, the spare DL storing area can be used to keep the reliability of defect management information. Particularly, this technique is useful for improvement of reliability of recording media which are likely to be degraded due to repetition of write operations. Note that in Embodiment 1 the fifth DL storing area **705**, the sixth DL storing area **706**, the seventh DL storing area **707**, and the eighth DL storing area **708** are used in this order, however, these areas may be used in descending order from the eighth DL storing area **708** when data is recorded in the second recording layer **52** from the outer periphery to the inner periphery of the multi-layered information recording medium **600**.

[0083] Next, with reference to Figures **10A** and **10B**, a description will be given of the relationship between the radial position of a defect management area in the first recording layer **51** (reference layer) and the radial position of a spare DL storing area in the second recording layer **52**. Figure **10A** is an enlarged diagram showing locations of the lead-in area **601**, the middle area **603**, and the lead-out area **604** in the multi-layered information recording medium **600** according to Embodiment 1 of the present invention. It is now assumed that the first spare DL storing area **620** (spare DL1) is used. In this case, a defect list is stored in the first spare DL storing area **620** (spare DL1), which is indicated by the DL start sector number **712** of the DDS area **700**. The first spare DL storing area **620** (spare DL1) and the first defect management area **611** (DMA1) are desirably located at substantially the same radial positions. If so, a recording/reproduction head needs to be shifted by only a small distance in a radial direction. Thus, as shown in Figure **10A**, the first DL storing area **701** in the first defect management area **611** (DMA1) and the fifth DL storing area **705** in the first spare DL storing area **620** (spare DL1) are desirably located at substantially the same radial positions. This is because when the contents of the first defect management area **611** (DMA1) are read out in an initial process for the multi-layered information recording medium **600** and it is determined according to the DDS area **700** that a defect list is stored in the fifth DL storing area **705** of the first spare DL storing area **620** (spare DL1), having substantially the same radial position makes it possible to access the area quickly. However, an error or the like may occur when the first

recording layer **51** and the second recording layer **52** are attached together in a fabrication step, thereby making it difficult to arrange the first spare DL storing area **620** (spare DL1) and the first defect management area **611** (DMA1) at the same radial position. As a result, as shown in Figure **10B**, the first recording layer **51** is slightly shifted from the second recording layer **52**. In Figure **10B**, the first defect management area **611** (DMA1) in the first recording layer **51** is radially shifted from the first spare DL storing area **620** (spare DL1) in the second recording layer **52**. The magnitude of the shift is called an attachment error in a disc fabrication process.

[0084] Considering the operation of a recording/reproduction apparatus for recording and reproduction of the multi-layered information recording medium **600**, an error occurs due to the inaccuracy of control of lens positions, the eccentricity of a disc, or the like when a focal point is switched between the first recording layer **51** and the second recording layer **52**. Therefore, an error in radial position between the first recording layer **51** and the second recording layer **52** may be tolerable within a predetermined range based on the attachment precision of recording layers in a disc fabrication process as shown in Figure **10B**.

[0085] Further, for the positional relationship between a defect management area and a spare DL storing area, a smaller distance between a DDS area in a defect management area and a DL storing area in a corresponding spare DL storing area is preferable in view of an access time. For example, as shown in Figure **10C** compared to Figure **10A**, each DL storing area in a spare DL storing area may be shifted toward the inner periphery by a used area in a spare DL storing area.

[0086] As described above, when defect management areas (DMA_m [$m = 1, 2, 3, 4$]) in a reference layer and spare DL storing area (spare DL_m) in a recording layer(s) other than the reference layer are located at substantially the same radial positions, it is possible to access a defect list in a short time even if the defect list is stored in a spare DL storing area (spare DL_m).

[0087] The multi-layered information recording medium **600** according to Embodiment 1 of the present invention has been heretofore described.

[0088] As described above, in the multi-layered information recording medium **600** according to Embodiment 1 of the present invention comprising a plurality of recording layers, defect management information relating to all of the recording layers is stored in a single recording layer. Therefore, it is possible to read out the defect management information more simply and rapidly.

[0089] In the multi-layered information recording medium **600** according to Embodiment 1 of the present invention, all defect management information relating to a plurality of recording layers is stored in a reference layer. Therefore, even if a larger number of defective areas are intensively present in one recording layer, it is possible to use a defect entry area efficiently.

[0090] In the multi-layered information recording medium **600** according to Embodiment 1 of the present invention, a spare DL storing area is provided in a recording layer other than a reference layer. Therefore, it is possible to significantly improve the reliability of defect management information of defects due to degradation of medium material.

[0091] In the multi-layered information recording medium **600** according to Embodiment 1 of the present invention, a spare DL storing area is placed within a predetermined error range from the radial position of a defect management area in a reference layer. Therefore, it is possible to reduce an access time required to read a spare DL storing area after reading a DDS area.

[0092] Note that Embodiment 1 shows an opposite path disc in which recording and reproduction are performed from the inner periphery to the outer periphery of the first recording layer **51** and from the outer periphery to the inner periphery of the second recording layer **52**, though a parallel path disc can be similarly managed in which recording and reproduction are performed from the inner periphery to the outer periphery in all recording layers. The arrangement of recording layers is not particularly limited as long as a defect management area and a spare DL storing area are located near each other. Therefore, the arrangement may be slightly adjusted depending on the difference in a recording and reproduction direction between an opposite path disc and a parallel path disc. For example, in an opposite path disc, a second recording layer is accessed from the outer periphery to the inner periphery. Therefore, a spare DL storing area in the second recording layer may be placed closer to the inner periphery than a defect management area provided on the inner periphery.

[0093] Note that in the case of a multi-layered information recording medium having at least three recording layers, the multi-layered information recording medium may store DL storing area management information in order to manage the statuses of DL storing areas in a defect management area and a spare DL storing area. An example of DL storing area management information is such that a value 0 is set when the DL storing area is unused, a value 1 is set when the DL storing area is used, and a value 2 is set when the DL storing area is determined to be defective. By storing such information for managing each DL storing area in a DDS area, the DL storing areas can be efficiently managed.

[0094] Note that in Embodiment 1 a reference layer is the upper recording layer of a plurality of recording layer in the figures, though the reference layer is not so limited and may be any of the recording layers uniquely determined under a predetermined rule. For example, a reference layer may be a recording layer of a plurality of recording layers which is located at the shortest distance from the data read-out surface of a multi-layered information recording medium,

or a recording layer which is located at the longest distance from the data read-out surface.

[0095] Note that in Embodiment 1 the multi-layered information recording medium **600** comprising two recording layers is described, though an information recording medium may comprise a larger number (at least 3) of recording layers. In either multi-layered recording medium, a defect management area is provided in any one of recording layers while a spare DL storing area is provided in other recording layers.

(Embodiment 2)

[0096] Next, a multi-layered information recording medium according to Embodiment 2 of the present invention will be described with reference to the accompanying drawings.

[0097] Figure **11** is a diagram showing a multi-layered information recording medium **800** according to Embodiment 2 of the present invention. The multi-layered information recording medium **800** of Embodiment 2 comprises a first recording layer **53** and a second recording layer **54**. In the first recording layer **53** and the second recording layer **54**, defect management areas and spare DL storing areas are arranged in a manner similar to that in the first recording layer **51** and the second recording layer **52** shown in Embodiment 1. The multi-layered information recording medium **800** is different from the multi-layered information recording medium **600** of Embodiment 1 in that in the multi-layered information recording medium **800**, the first recording layer **53** contains a head spare area **1101** and an intermediate spare area **1102**, and the second recording layer **54** contains an intermediate spare area **1102'** and an end space area **1103**. The sizes of these spare areas can be separately determined, however, for the sake of simplicity, it is assumed that all spare areas have the same size (the size is indicated by the spare area size **713** (Figure **12**)). A data area **1100** is an area which contains a user data area **602** and the above-described spare areas. Hereinafter, features of the multi-layered information recording medium **800** different from the multi-layered information recording medium **600** will be described.

[0098] The head spare area **1101**, the intermediate spare area **1102**, the intermediate spare area **1102'**, and the end space area **1103** contain a replacement area. When a defective area is detected in the user data area **602**, the replacement area may be used in place of the defective area. A defective area is herein a defective sector. A defective area **A 1110** and a defective area **B 1112** each are a defective area in which user data cannot be appropriately recorded and reproduced. The defective area **A 1110** is replaced with a replacement area **A 1111** containing the intermediate spare area **1102**. As a result, user data which was to be recorded in the defective area **A 1110** is recorded in the replacement area **A 1111**. Similarly, in a read operation, user data is read from the replacement area **A 1111** but not from the defective area **A 1110**. Similarly, a defective area **B 1112** in the second recording layer **54** is replaced with a replacement area **B 1113** containing the head spare area **1101** in the first recording layer **53**.

[0099] Next, the contents of defect management information in Embodiment 2 will be described with reference to Figure **12**. Figure **12** shows locations of areas in a first defect management area **611** (DMA1). Hereinafter, only features of the first defect management area **611** (DMA1) of Embodiment 2 different from Embodiment 1 will be described. A defect list **1209** stored in the second DL storing area **702** contains two defect entries, i.e., a defect entry **A 1201** and a defect entry **B 1202**. The defect entry **A 1201** is information indicating that the defective area **A 1110** of Figure **11** is replaced with the replacement area **A 1111**. On the other hand, the defect entry **B 1202** stores information indicating that the defective area **B 1112** of Figure **11** is replaced with the replacement area **B 1113**. Therefore, a replacement status flag contained in the defect entry **A 1201** and a replacement status flag contained in the defect entry **B 1202** each are 0. This is because a replacement status flag has a value 0 when a corresponding defective area is replaced with a replacement area, and has a value 1 when the defective area is not replaced and is registered. A defective sector layer number and a defective sector number indicate a number which permits to identify a recording layer and a sector number which permits to uniquely determine the location of a sector in a recording layer, respectively, as in Embodiment 1. The defective area **A 1110** and its replacement area **B 1111** are both contained in the first recording layer **53**, and therefore, a defective sector layer number **735** and a replacement sector layer number **737** contained in the defect entry **A 1201** both indicate 1. On the other hand, the defective area **B 1112** is contained in the second recording layer **54**, and the replacement area **B 1113** is contained in the first recording layer **53**. Therefore, a defective sector layer number **740** contained in the defect entry **B 1202** indicates a value 2 representing the second recording layer **54**, and a replacement sector layer number **742** indicates a value 1 representing the first recording layer **53**. Note that the replacement sector numbers **737** and **742** represent a sector number which uniquely determines the starting position of a replacement area in a recording layer as do the defective sector numbers **735** and **740**.

[0100] In Embodiment 2, the defective area **B 1112** in the second recording layer **54** is replaced with the replacement area **B 1113** in the first recording layer **53**. It is now assumed that, for example, a total of 1000 defective sectors can be present in two recording layers. If defect management was performed separately for each recording layer, a spare area(s) corresponding to at least 1000 sectors has to be allocated in each recording layer. In other words, a spare area (s) corresponding to a total of at least 2000 sectors is required for two recording layers. On the other hand, in Embodiment 2, a defect list for all recording layers is stored in a unified manner while a defective area in a certain recording

layer can be replaced with a spare area in another recording layer. Therefore, in the present invention, a spare area (s) corresponding to a total of 1000 sectors is required for the two recording layers (e.g., 500 sectors are provided in each of the two recording layers). Therefore, the volume of an area allocated as a spare area can be reduced, thereby making it possible to increase the volume of the user data area **602**.

5 **[0101]** The multi-layered information recording medium **800** according to Embodiment 2 of the present invention has been heretofore described.

[0102] As described above, the multi-layered information recording medium **800** according to Embodiment 2 of the present invention will be described below in terms of its effects in addition to the effects of the present invention described in Embodiment 1.

10 **[0103]** Defect management information relating to all recording layers contained in a multi-layered information recording medium is managed by a single defect list, thereby making it possible to replace a defective area in a certain layer with a replacement area in a different layer. Therefore, even if defective areas occur intensively in a certain recording layer and all spare area in this layer are exhausted, spare areas in other recording layers can be used for replacement. Therefore, even if defective areas occur intensively in a specific recording layer due to degradation of a medium material or the like, spare areas in all recording layers can be efficiently used and the reliability of recorded data can be achieved. It is clearly appreciated that a method of using a spare DL in Embodiment 2 is the same as that in Embodiment 1, though a description thereof is omitted.

15 **[0104]** Note that the disc medium of Embodiment 2 is an opposite path disc in which recording and reproduction are performed from the inner periphery to the outer periphery of the first recording layer **53** and from the outer periphery to the inner periphery of the second recording layer **54**. Similarly, in a parallel path disc in which recording and reproduction are performed from the inner periphery to the outer periphery in all recording layers, defective areas can be similarly managed.

(Embodiment 3)

25 **[0105]** Hereinafter, an information recording/reproduction apparatus **500** according to Embodiment 3 of the present invention will be described with reference to the accompanying drawings. The information recording/reproduction apparatus **500** performs recording and reproduction using the multi-layered information recording mediums **600** and **800** described in Embodiments 1 and 2, respectively.

30 **[0106]** Figure **13** is a block diagram showing the information recording/reproduction apparatus **500** according to Embodiment 3 of the present invention. The information recording/reproduction apparatus **500** comprises a disc motor **502**, a preamplifier **508**, a servo circuit **509**, a binarization circuit **510**, a modulation/demodulation circuit **511**, an ECC circuit **512**, a buffer **513**, a CPU **514**, an internal bus **534**, and an optical head section **535**. In the information recording/reproduction apparatus **500**, the multi-layered information recording medium **800** is loaded. The optical head section **535** comprises a lens **503**, an actuator **504**, a laser driving circuit **505**, a photodetector **506**, and a transport table **507**. Reference numeral **520** denotes a rotation detection signal. Reference numeral **521** denotes a disc motor driving signal. Reference numeral **522** denotes a laser emission permission signal. Reference numeral **523** denotes a light detection signal. Reference numeral **524** denotes a servo error signal. Reference numeral **525** denotes an actuator driving signal. Reference numeral **526** denotes a transport table driving signal. Reference numeral **527** denotes an analog data signal. Reference numeral **528** denotes a binarized data signal. Reference numeral **529** denotes a demodulated data signal. Reference numeral **530** denotes a corrected data signal. Reference numeral **531** denotes a stored data signal. Reference numeral **532** denotes an encoded data signal. Reference numeral **533** denotes a modulated data signal.

35 **[0107]** The CPU **514** functions as a control section. The CPU **514** controls the entire operation of the information recording/reproduction apparatus **500** via the internal bus **534** according to an incorporated control program. As described below, the optical head section **535** can optically write information in the multi-layered information recording medium **800** from one side of the multi-layered information recording medium **800**. The optical head section **535** can optically read information from the multi-layered information recording medium **800**. The CPU **514** controls execution of a defect management process using the optical head section **535** as described below.

40 **[0108]** In response to the laser emission permission signal **522** output from the CPU **514**, the laser driving circuit **505** emits laser light **536** onto the multi-layered information recording medium **800**. The light reflected by the multi-layered information recording medium **800** is converted by the photodetector **506** to the light detection signal **523**. The light detection signal **523** is subjected to addition/subtraction in the preamplifier **508** so as to generate the servo error signal **524** and the analog data signal **527**. The analog data signal **527** is A/D (analog/digital) converted by the binarization circuit **510** to the binarized data signal **528**. The binarized data signal **528** is demodulated by the modulation/demodulation circuit **511** to generate the demodulated data signal **529**. The demodulated data signal **529** is converted by the ECC circuit **512** to the corrected data signal **530** which does not include any error. The corrected data signal **530** is stored in a buffer **513**. The servo circuit **509** outputs the actuator driving signal **525** based on the servo error signal **524**, thereby feeding a servo error back to the actuator **504** for focusing control or tracking control of the lens

503. An error correction code is added by the ECC circuit **512** to the stored data signal **531** which is an output of data from the buffer **513**, so as to generate the encoded data signal **532**. Then, the encoded data signal **532** is modulated by the modulation/demodulation circuit **511** to generate the modulated data signal **533**. The modulated data signal **533** is input to the laser driving circuit **505** so as to modulate the power of laser light.

[0109] The information recording/reproduction apparatus **500** may be used as a peripheral device for a computer, such as a CD-ROM drive or the like, along with the computer. In such a case, a host interface circuit (not shown) is additionally provided, and data is transmitted between a host computer (not shown) and the buffer **513** through a host interface bus (not shown) such as a SCSI or the like. Alternatively, if the information recording/reproduction apparatus **500** is used as a consumer device, such as a CD player or the like, along with an AV system, an AV decoder/encoder circuit (not shown) is additionally provided so as to compress a moving image or sound or decompress a compressed moving image or sound and the resultant data is transmitted between the host computer and the buffer **513**.

[0110] In a reproduction operation of the information recording/reproducing apparatus **500** according to Embodiment 3 of the present invention, it is necessary to provide two processes, a process of obtaining defect management information and a process of reproducing sectors while considering replacement, in order to reproduce information recorded in the multi-layered information recording medium **800** comprising two recording layers to which defect management of the present invention is applied.

[0111] In a recording operation of the information recording/reproducing apparatus **500** according to Embodiment 3 of the present invention, it is necessary to provide, in addition to the above reproduction operation, two processes, a process of updating defect management information and a process of recording sectors while considering replacement, in order to record information in the multi-layered information recording medium **800** comprising two recording layers to which defect management of the present invention is applied.

[0112] Hereinafter, an operation of the recording/reproduction apparatus **500** of Embodiment 3 will be described, in which recording and reproduction are performed on the multi-layered information recording medium **800** of Embodiment 2 using defect management as described with reference to, mainly, Figures **11** and **12**. A high level apparatus, such as a host computer or the like, outputs location information specifying an area which recording and reproduction are to be performed, which information is represented by a logical sector number (LSN). Physical location information on the recording medium is represented by physical sector numbers (PSNs). It is now assumed that a PSN contains a sector layer number indicating a layer in which a sector is present, and a sector number with which it is possible to identify the location of a sector in a layer in which the sector is present.

[0113] Figure **14** shows a flowchart **1400** for illustrating a procedure of obtaining defect management information in Embodiment 3 of the present invention.

[0114] At the first step of the process of obtaining defect management information, i.e., at step 1401, the CPU **514** instructs the servo circuit **509** to control the focal point of laser light so as to follow a track in a reference layer.

[0115] At step 1402, the optical head section **535** reproduces a sector which stores disc information, and the CPU **514** confirms parameters and a format which are necessary for recording/reproduction of the multi-layered information recording medium **800**.

[0116] At step 1403, the optical head section **535** reproduces a DDS area **700** stored in a reference layer. The reproduced DDS data is retained in a predetermined place of the buffer **513**.

[0117] At step 1404, the CPU **514** determines whether or not a DL starting layer is present in a reference layer, by referencing a DL start sector layer number **711** in the DDS data within the buffer **513**. If the DL starting layer is present in the reference layer, the process proceeds to step 1406. If the DL starting layer is present in a recording layer other than the reference layer, the process proceeds to step 1405.

[0118] At step 1405, the CPU **514** instructs the servo circuit **509** to control the focal point of laser light so as to follow a track in a recording layer indicated by the DL start sector layer number **711**.

[0119] At step 1406, the optical head section **535** reads a predetermined size portion of a defect list from a sector indicated by the DL start sector number **712**. The read defect list is retained at a predetermined place in the buffer **513**.

[0120] Figure **15** is a flowchart **1500** for illustrating a reproduction procedure of sectors according to Embodiment 3 of the present invention, wherein replacement is considered. In this reproduction process, assume that defect management information including DDS data and a defect list have already been retained in the buffer **513**.

[0121] At the first step of this reproduction process, i.e., at step 1501, the CPU **514** converts LSNs, which are assigned to respective areas to be reproduced, to PSNs (detailed descriptions of this step will be described later with reference to Figure **16**).

[0122] At step 1502, the CPU **514** references to the layer number of the PSN of an area to be reproduced to determine whether or not a recording layer in which the focal point of laser light currently exists is identical to a recording layer to be reproduced. If identical, the process proceeds to step 1504; if not, the process proceeds to step 1503.

[0123] At step 1503, the CPU **514** instructs the servo circuit **509** to control the focal point of the laser light **536** so as to follow a track in a recording layer to be reproduced.

[0124] At step 1504, the optical head section **535** reproduces information recorded in a sector indicated by the PSN

obtained at conversion step 1501.

[0125] Figure 16 is a flowchart 1600 for illustrating a procedure of converting LSNs to PSNs (i.e., step 1501 of Figure 15) according to Embodiment 3 of the present invention.

[0126] At the first step 1601 of this conversion process, LSN is converted to PSN without considering the presence or absence of replacement, i.e., in a manner similar to when no defective sector is present. Referring to Figure 11, when the value of the ordinal level of a LSN to be converted is smaller than the number of sectors in the first user data area 15,

$$\text{PSN} = (\text{Smallest PSN in the first user data area 15}) + \text{LSN}.$$

[0127] When the value of the order of a LSN to be converted is greater than the total number of sectors in the first user data area 15,

$$\text{PSN} = (\text{Smallest PSN in the second user data area 16}) + \text{LSN} - (\text{the total number of sectors in the first user data area 15}).$$

[0128] Note that since the multi-layered information recording medium 800 of Figure 11 has an opposite path track, a sector in the second user data area 16 to which the smallest PSN is assigned is located at the outermost perimeter portion of the second user data area 16 (i.e., being adjacent to the intermediate spare area 1002').

[0129] At step 1602, the CPU 514 references defect entry data in a defect list to determine whether or not the PSN obtained in the above-described step matches a defective sector layer number and a defective sector number stored in the defect list. If registered, the process proceeds to step 1603; if not (i.e., no replacement), the process ends.

[0130] At step 1603, the CPU 514 selects a replacement sector layer number and a replacement sector number indicated by a defect entry (i.e., a defective sector layer number and a defective sector number) indicating the PSN from defect entry data registered in the defect list.

[0131] Note that when data is reproduced from the multi-layered information recording medium 600 (Figure 6) having no spare area, the process indicated by step 1603 is omitted or the processes indicated by steps 1602 and 1603 are omitted.

[0132] As described above, the information recording/reproduction apparatus 500 according to Embodiment 3 of the present invention can reproduce data from a multi-layered information recording medium containing a defect management area. The reproduction operation of user data which is performed after the focal point of the laser light 536 has been moved to a recording layer to be accessed, is basically the same as the reproduction operation of user data performed for a single-layered information recording medium. Thus, it is clearly appreciated that any reproduction procedure for an information recording/reproducing apparatus designed for a single-layered disc can be used.

[0133] Figure 17 is a flowchart for illustrating a procedure of updating defect management information according to Embodiment 3 of the present invention. In this embodiment, as an example of a formatting process for a multi-layered information recording medium, initialization and updating of defect management information will be described.

[0134] At the first step 1701 of the updating process, the CPU 514 produces DDS data having predetermined definition values for a recording/reproduction apparatus and a defect list containing a DL header 720 in which the number of DL entries is set to be 0, in the buffer memory 513. In this case, a DL start sector layer number 711 and a DL start sector number 712 in a DDS 700 before a formatting process (Figure 12) are set in a newly produced DDS.

[0135] At step 1702, it is determined whether or not a recording layer indicated by the DL start sector layer number 712 is identical to a recording layer currently followed by the focal point of the laser light 536. If identical, the process proceeds to step 1704; if not, the process proceeds to step 1703.

[0136] At step 1703, the CPU 514 instructs the servo circuit 509 to control the focal point of the laser light 536 so as to follow a track in a recording layer indicated by the DL start sector layer number 711.

[0137] At step 1704, the CPU 514 records a newly produced defect list in an area having a predetermined size which starts with a sector number indicated by the DL start sector number 712. In this case, when a defect list has been previously recorded in the area indicated by the DL start sector number 712 (e.g., the defect list 1209 (Figure 12)), the previously recorded defect list is updated to a newly produced defect list.

[0138] At step 1705, the CPU 514 determines whether or not data is correctly recorded in a DL storing area. If correctly recorded, the process proceeds to step 1707. If not (the area is not usable), the process proceeds to step 1706. The determination of the correctness of data recording is carried out by reading data recorded in the DL storing area and judging whether or not the read data is identical to data to be recorded.

[0139] At step 1706, the CPU 514 selects another usable DL storing area. Initially, the CPU 514 determines whether

or not a defect management area (or a spare DL) of a recording layer, in which data is currently recorded, contains a usable DL storing area. In the same recording layer, a DL storing area having a radial position close to that of a currently used DL storing area is selected. If no DL storing area is usable in the same recording layer, the CPU 514 selects a usable DL storing area containing an unused spare DL storing area in an adjacent recording layer. The CPU 514 records a defect list, which has the same contents as those of a defect list stored in a DL storing area which has been determined to be unusable, in a newly selected DL storing area.

[0140] At step 1707, the CPU 514 determines whether or not a track currently followed by the focal point of the laser light 536 is of the reference layer. If so, the process proceeds to step 1709; if not, the process proceeds to step 1708.

[0141] At step 1708, the CPU 514 instructs the servo circuit 509 to control the focal point of the laser light 536 so as to follow a track in the reference layer.

[0142] At step 1709, the CPU 514 records the starting PSN of a DL area (containing a DL storing area selected in step 1706), in which a defect list is recorded, in DDS data produced in the buffer memory 513. Specifically, a DL start sector layer number 712 and a DL start sector number 712 are updated.

[0143] At step 1710, the CPU 514 records the DDS data produced in the buffer memory 513 in a DDS area of a multi-layered information recording medium using the optical head section 535.

[0144] Note that in Embodiment 3, at step 1704, an area in which a defect list is recorded is not limited to a defect list storing area before a formatting process. It is clearly appreciated that, for example, all defect list storing areas before a formatting process may be made invalid, and the CPU 514 may record a defect list in a newly designated area.

[0145] Figure 18 is a flowchart 1800 for illustrating a recording procedure according to Embodiment 3 of the present invention, wherein replacement is considered.

[0146] At the first step 1801 of this recording process, the CPU 514 converts LSNs, which specify sectors in which data is to be recorded, to PSNs (see Figure 21).

[0147] At step 1802, the CPU 514 references to the layer number of a PSN to determine whether or not a recording layer currently followed by the focal point of the laser light 536 is identical to a recording layer in which data is to be recorded. If identical, the process proceeds to step 1804; if not, the process proceeds to step 1803.

[0148] At step 1803, the CPU 514 instructs the servo circuit 509 to control the focal point of the laser light 536 so as to follow a track in the recording layer in which data is to be recorded.

[0149] At step 1804, the CPU 514 records data in a sector indicated by the PSN obtained at step 1801 using the optical head section 535.

[0150] At step 1805, the CPU 514 determines whether or not the data recording was successful at step 1804. If successful, the process proceeds to step 1807; if not, the CPU 514 determines that the sector in which it is attempted to record data is defective, and the process proceeds to step 1806.

[0151] At step 1806, the CPU 514 allocates a spare sector for the sector which is determined to be defective. The CPU 514 replaces the defective area with an unused replacement area which contains a spare area at the shortest radial distance from the defective area and is present in a recording layer containing the defective area (in this case, the replacement area is a spare sector). For example, when the defective area is detected on the outer periphery of the first recording layer 53 (Figure 11), a replacement area is allocated from the first intermediate spare area 1102 provided in the recording layer 53. If the intermediate spare area 1102 in the first recording layer 53 contains no usable replacement area, a usable replacement area is allocated from the intermediate spare area 1102' of the second recording layer 54. If the intermediate spare area 1102' of the second recording layer 54 contains no usable replacement area, a usable replacement area is allocated from the head spare area 1101 of the first recording layer 53. In such a sequence, any one of spare areas in a multi-layered information recording medium is assigned as a replacement area.

[0152] At step 1807, in the recording process, the CPU 514 determines whether or not a spare sector has been newly allocated at step 1806. If not, the recording process ends; if so, the process proceeds to step 1808.

[0153] At step 1808, the newly allocated replacement sector is registered in the defect list stored in the buffer memory 513. In this case, if the defective sector is already registered in the defect list, only a replacement sector layer number and a replacement sector number are updated. On the other hand, if a new defective sector is detected, the detected defective sector is added to the defect list.

[0154] When data is recorded in the multi-layered information recording medium 600 (Figure 6) containing no spare area, the process indicated by step 1806 is omitted. In this case, information which is used to manage the detected defective sector is registered in the defect list.

[0155] As described above, the information recording/reproduction apparatus 500 according to Embodiment 3 of the present invention can record data in a multi-layered information recording medium having a defect management area. In the present invention, a spare sector can be allocated from a spare area provided in a recording layer different from a recording layer in which a defective sector is present. The information recording/reproduction apparatus 500 can allocate spare sectors in a manner that gives a greater weight to reduction of a seek time or in a manner that gives a greater weight to reduction of the time required for setting recording power. The recording operation of user data to the user data area which is performed after the focal point of laser light has been moved to a recording layer to be

accessed, is basically the same as the recording operation of user data performed for a single-layered information recording medium. Thus, it is clearly appreciated that any recording procedure for an information recording/reproducing apparatus designed for a single-layered disc can be used.

5 [0156] Although in the above descriptions of the present invention, reproduction/recording of information and defect management are performed on a sector-by-sector basis, it is clearly appreciated that the present invention is applicable even when reproduction/recording of information and defect management is performed on a block-by-block basis (a block contains a plurality of sectors), or on an ECC block-by-ECC block basis (an ECC block is a unit based on which an error correction code of, for example, a DVD disc is calculated). Such a modified embodiment is made within the spirit and applicable range of the present invention, and any modified embodiment which is readily appreciated by
10 those skilled in the art, falls within the scope of the claims of the present invention.

(Embodiment 4)

15 [0157] Next, a multi-layered information recording medium according to Embodiment 4 of the present invention will be described with reference to the accompanying drawings.

[0158] Figure 19 is a diagram showing a multi-layered information recording medium 1900 according to Embodiment 4 of the present invention. The multi-layered information recording medium 1900 comprises two recording layers 55 and 56. The multi-layered information recording medium 1900 comprises a user data area 1903 for recording user data. In Embodiment 4 of the present invention, the upper recording layer (55) shown in Figure 19 is referred to as a first recording layer, and the lower recording layer (56) is referred to as a second recording layer.
20

[0159] The first recording layer 55 is located at a predetermined distance from a surface of the multi-layered information recording medium 1900 through which data is read out (data read-out surface). The first recording layer 55 is referred to as a reference layer. This predetermined distance is equal to a distance from the data read-out surface of an optical disc comprising only one recording layer to the recording layer. A reference layer is predetermined among
25 a plurality of recording layers.

[0160] The first recording layer 55 contains, from the inner periphery to the outer periphery along the recording/reproduction direction of the multi-layered information recording medium 1900, a lead-in area 1901, a head spare area 1902, and a first user data area 1931 which is a portion of the user data area 1903. The second recording layer 56 contains, from the outer periphery to the inner periphery along the recording/reproduction direction of the multi-layered information recording medium 1900, a second user data area 1932 which is a portion of the user data area 1903, an end spare area 1904, and a lead-out area 1905.
30

[0161] The lead-in area 1901 contains a control data area 1911 for storing control information for the multi-layered information recording medium 1900, and a first defect management area 1912 (DMA1) and a second defect management area 1913 (DMA2) for recording defect management information relating to a defective area. The head spare area 1902 and the end spare area 1904 contain a replacement area which may be used in place of a defective area in the user data area 1903. The lead-out area 1905 contains a third defect management area 1921 (DMA3) and a fourth defect management area 1922 (DMA4) for recording defect management information relating to a defective area. The first defect management area 1912 (DMA1), the second defect management area 1913 (DMA2), the third defect management area 1921 (DMA3), and the fourth defect management area 1922 (DMA4) each store the same defect management information. This is because by duplicately recording the same defect management information in a plurality of areas in the multi-layered information recording medium 1900, the reliability of the defect management information is improved.
35

[0162] The user data area 1903 contains a first user data area 1931 and a second user data area 1932. A defective area A 1915 is present in the first user data area 1931. A defective area B 1924 is present in the second user data area 1932. The defective area A 1915 is replaced with a replacement area A 1914. The defective area B 1924 is replaced with a replacement area B 1923.
45

[0163] The multi-layered information recording medium 1900 according to Embodiment 4 of the present invention contains four defect management areas having the same contents, thereby making it possible to obtain the reliability of defect management information. All of the four defect management areas are provided intensively on the inner periphery of the multi-layered information recording medium 1900, thereby making it possible to minimize a distance over the optical head section is moved. According to this feature, the time required for the initial process of the multi-layered information recording medium 1900 can be advantageously reduced. Further, no defect management area is provided on the outer periphery, and therefore, the entire outer periphery of the multi-layered information recording medium 1900 can be used as a user data area. Therefore, a larger user data capacity can be obtained.
50

[0164] A data structure of the first defect management area 1912 will be described with reference to Figure 20. As described above, the first defect management area 1912 (DMA1), the second direct management area 1913 (DMA2), the third defect management area 1921, and the fourth direct management area 1922 each have the same defect management information. Here, only the first defect management area 1912 will be described and a description of the
55

other defect management areas is omitted.

[0165] Figure 20 shows a data structure of the first defect management area 1912. A DDS area 2000, first to fourth DL storing areas 2001 to 2004, and a DL header area 2020 have the same data structure as that of the DDS area 700, the first to fourth DL storing areas 701 to 704, and the DL header area 720, respectively, shown in Figure 7, and a description thereof is omitted. Here, a defect entry A 2021 and a defect entry B 2022 contained in a defect list 2009 will be described.

[0166] The defect entry A 2021 contains defect management information relating to a defective area A 1915 (Figure 19). The defective area A 1915 is replaced with a replacement area A 1914. Therefore, a replacement status 734 contained in the defect entry A 2021 indicates 0 which means the presence of replacement. Since the defective area A 1915 is present in the first recording layer 55, a defective sector layer number 735 indicates a value 1 which means the first recording layer 55. A defective sector number 736 indicates an identification number which permits to uniquely identify the defective area A 1915 in the first recording layer 55. Similarly, since the replacement area A 1914 is present in the first recording layer 55, a replacement sector layer number 737 indicates a value 1. A replacement sector number 738 indicates an identification number which permits to uniquely identify the replacement area A 1914 in the first recording layer 55.

[0167] The defect entry B 2022 contains defect management information relating to a defective area B 1924 (Figure 19). The defective area B 1924 is replaced with a replacement area B 1923. Therefore, a replacement status 739 contained in the defect entry B 2022 indicates 0 which means the presence of replacement. Since the defective area B 1924 is present in the second recording layer 56, a defective sector layer number 741 indicates a value 2 which means the second recording layer 56. A defective sector number 741 indicates an identification number which permits to uniquely identify the defective area B 1924 in the second recording layer 56. Similarly, since the replacement area B 1923 is present in the second recording layer 56, a replacement sector layer number 742 indicates a value 2. A replacement sector number 743 indicates an identification number which permits to uniquely identify the replacement area B 1923 in the second recording layer 56.

[0168] As described above, according to the multi-layered information recording medium 1900 of Embodiment 4, a larger user data capacity is obtained and the performance of reading defect management information can be improved.

[0169] Note that the disc medium of Embodiment 4 is an opposite path disc in which recording and reproduction are performed from the inner periphery to the outer periphery of the first recording layer 55 and from the outer periphery to the inner periphery of the second recording layer 56. Similarly, in a parallel path disc in which recording and reproduction are performed from the inner periphery to the outer periphery in all recording layers, defective areas can be managed.

[0170] Note that in Embodiment 4, two spare areas, i.e., the head spare area 1902 and the end space area 1904 are provided in the multi-layered information recording medium 1900, however, either or both of them may be omitted.

[0171] Note that in Embodiment 4, for the sake of simplicity, the multi-layered information recording medium 1900 having two recording layers has been described, however, even in the case of a multi-layered information recording medium having at least three recording layers, the above-described effect is obtained if a defect management area is provided on the inner periphery of a reference layer and the inner periphery of a recording layer other than the reference layer.

[0172] In the case of a multi-layered information recording medium having at least three recording layers, a defect management area may be provided on the inner peripherys of all recording layers other than the reference layer.

(Embodiment 5)

[0173] Next, a multi-layered information recording medium according to Embodiment 5 of the present invention will be described with reference to the accompanying drawings.

[0174] Figure 21 is a diagram showing a multi-layered information recording medium 2100 according to Embodiment 5 of the present invention. The multi-layered information recording medium 2100 comprises two recording layers 57 and 58. The multi-layered information recording medium 2100 contains a user data area 2103 for recording user data. The user data area 2103 straddles a boundary of the first and second recording layers 57 and 58. In Embodiment 5 of the present invention, the upper recording layer (57) shown in Figure 21 is referred to as a first recording layer, and the lower recording layer (58) is referred to as a second recording layer.

[0175] The first recording layer 57 is located at a predetermined distance from a surface of the multi-layered information recording medium 2100 through which data is read out (data read-out surface). The first recording layer 57 is referred to as a reference layer. This predetermined distance is equal to a distance from the data read-out surface of an optical disc comprising only one recording layer to the recording layer. A reference layer is predetermined among a plurality of recording layers.

[0176] The first recording layer 57 contains, from the inner periphery to the outer periphery along the recording/reproduction direction of the multi-layered information recording medium 2100, a lead-in area 2101, a head spare area

2102, and a first user data area **2131** which is a portion of the user data area **2103**. The second recording layer **58** contains, from the inner periphery to the outer periphery along the recording/reproduction direction of the multi-layered information recording medium **2100**, a second user data area **2132** which is a portion of the user data area **2103**, an end spare area **2104**, and a lead-out area **2105**.

[0177] The lead-in area **2101** contains a control data area **2111** for storing control information for the multi-layered information recording medium **2100**, and a first defect management area **2112** (DMA1) and a second defect management area **2113** (DMA2) for recording defect management information relating to a defective area. The head spare area **2102** and the end spare area **2104** contain a replacement area which may be used in place of a defective area in the user data area **2103**. The lead-out area **2105** contains a third defect management area **2121** (DMA3) and a fourth defect management area **2122** (DMA4) for recording defect management information relating to a defective area. The first defect management area **2112** (DMA1), the second defect management area **2113** (DMA2), the third defect management area **2121** (DMA3), and the fourth defect management area **2122** (DMA4) each store the same defect management information. This is because by duplicately recording the same defect management information in a plurality of areas in the multi-layered information recording medium **2100**, the reliability of the defect management information is improved.

[0178] The user data area **2103** contains a first user data area **2131** and a second user data area **2132**. A defective area A **2115** is present in the first user data area **2131**. A defective area B **2124** is present in the second user data area **2132**. The defective area A **2115** is replaced with a replacement area A **2114**. The defective area B **2124** is replaced with a replacement area B **2123**.

[0179] The multi-layered information recording medium **2100** according to Embodiment 5 of the present invention contains defect management areas on the inner periphery in the first recording layer **57** while containing direct management areas on the outer periphery in the second layer **58**, thereby dramatically improving the possibility that any direct management area on either the inner periphery or the outer periphery can be used for reproduction even if a stain (e.g., a fingerprint or the like) or a scratch is present on the multi-layered information recording medium **2100**; and making it possible to obtain the reliability of defect management information. Defect management areas are provided on only one of the inner periphery and the outer periphery of each recording layer, thereby obtaining a larger usable area as a user data area. Therefore, a larger user data capacity can be obtained.

[0180] A data structure of the defect management area in Example 5 is the same as that of Example 4 described with reference to Figure **20**, and a description thereof is omitted.

[0181] As described above, according to the multi-layered information recording medium **2100** of Embodiment 5, the reliability of defect management information can be improved while a larger user data capacity is obtained.

[0182] Note that the disc medium of Embodiment 5 is a parallel path disc in which recording and reproduction are performed from the inner periphery to the outer periphery of the first recording layer **57** and from the inner periphery to the outer periphery of the second recording layer **58**. Similarly, in an opposite path disc in which recording and reproduction are performed from the inner periphery to the outer periphery in the recording layer **57** and from the outer periphery to the inner periphery in the recording layer **58**, defective areas can be managed.

[0183] Note that in Embodiment 5, two spare areas, i.e., the head spare area **2102** and the end space area **2104** are provided in the multi-layered information recording medium **2100**, however, either or both of them may be omitted. If none of the spare areas are present in the multi-layered information recording medium **2100**, a defect list is used to manage information relating to a defective area with no replacement area allocated.

[0184] Note that in Embodiment 5, for the sake of simplicity, the multi-layered information recording medium **2100** having two recording layers has been described, however, even in the case of a multi-layered information recording medium having at least three recording layers, the above-described effect is obtained if a defect management area is provided on the inner periphery of a reference layer and the inner periphery of a recording layer other than the reference layer.

(Embodiment 6)

[0185] Next, a multi-layered information recording medium according to Embodiment 6 of the present invention will be described with reference to the accompanying drawings.

[0186] Figure **22** is a diagram showing a multi-layered information recording medium **2200** according to Embodiment 6 of the present invention. The multi-layered information recording medium **2200** comprises two recording layers **59** and **60**. The multi-layered information recording medium **2200** contains a user data area **2203** for recording user data. The user data area **2203** straddles a boundary of the first and second recording layers **59** and **60**. In Embodiment 6 of the present invention, the upper recording layer (**59**) shown in Figure **21** is referred to as a first recording layer, and the lower recording layer (**60**) is referred to as a second recording layer.

[0187] The first recording layer **59** is located at a predetermined distance from a surface of the multi-layered information recording medium **2200** through which data is read out (data read-out surface). The first recording layer **59** is

referred to as a reference layer. This predetermined distance is equal to a distance from the data read-out surface of an optical disc comprising only one recording layer to the recording layer. A reference layer is predetermined among a plurality of recording layers.

[0188] The first recording layer **59** contains, from the inner periphery to the outer periphery along the recording/reproduction direction of the multi-layered information recording medium **2200**, a lead-in area **2201**, a head spare area **2202**, a first user data area **2231** which is a portion of the user data area **2203**, a first intermediate spare area **2204**, and a first lead-out area **2205**. The second recording layer **60** contains, from the inner periphery to the outer periphery along the recording/reproduction direction of the multi-layered information recording medium **2200**, a second lead-in area **2206**, a second intermediate spare area **2207**, a second user data area **2232** which is a portion of the user data area **2203**, an end spare area **2208**, and a second lead-out area **2209**.

[0189] The first lead-in area **2201** contains a control data area **2211** for storing control information for the multi-layered information recording medium **2200**, and a first defect management area **2212** (DMA1) and a second defect management area **2213** (DMA2) for recording defect management information relating to a defective area. The head spare area **2202**, the first spare area **2204**, the second spare area **2207**, and the end spare area **2104** contain a replacement area which may be used in place of a defective area in the user data area **2203**. The first lead-out area **2205** contains a third defect management area **2216** (DMA3) and a fourth defect management area **2217** (DMA4) for recording defect management information relating to a defective area. Similar to the first lead-in area **2201**, the second lead-in area **2206** contains a control data area **2211** for storing control information for the multi-layered information recording medium **2200**, and a fifth defect management area **2221** (DMA5) and a sixth defect management area **2222** (DMA6) for recording defect management information relating to a defective area. Similar to the first lead-out area **2205**, the second lead-out area **2209** contains a seventh defect management area **2223** (DMA7) and an eighth defect management area **2224** (DMA8) for recording defect management information relating to a defective area. The first defect management area **2212** (DMA1), the second defect management area **2213** (DMA2), the third defect management area **2216** (DMA3), the fourth defect management area **2217** (DMA4), the fifth defect management area **2221** (DMA5), the sixth defect management area **2222** (DMA6), the seventh defect management area **2223** (DMA7), and the eighth defect management area **2224** (DMA8) each store the same defect management information. This is because by duplicately recording the same defect management information in a plurality of areas in the multi-layered information recording medium **2200**, the reliability of the defect management information is improved.

[0190] The user data area **2203** contains a first user data area **2231** and a second user data area **2232**. A defective area **A 2215** is present in the first user data area **2231**. A defective area **B 2225** is present in the second user data area **2232**. The defective area **A 2215** is replaced with a replacement area **A 2214**. The defective area **B 2225** is replaced with a replacement area **B 2226**.

[0191] The multi-layered information recording medium **2200** according to Embodiment 6 of the present invention contains defect management areas on the inner periphery and the outer periphery in both the first recording layer **59** and the second recording layer **60**, thereby making it possible to obtain the reliability of defect management information. For example, the possibility that any direct management area on either the inner periphery or the outer periphery can be used for reproduction even if a stain (e.g., a fingerprint or the like) or a scratch is present on the multi-layered information recording medium **2100**, is dramatically improved, thereby enhancing the reliability of defect management information. On the other hand, if a control circuit or an optical system is affected by variations in temperature inside a recording/reproduction apparatus, the degradation of the recording/reproduction apparatus over time, or the like, the ability of the apparatus to perform recording and reproduction with respect to a specific recording layer may be lowered. In such a situation, by storing a direct management area in all recording layers, it is possible to improve the reliability of defect management information.

[0192] A data structure of the defect management area in Example 6 is the same as that of Example 4 described with reference to Figure 20, and a description thereof is omitted.

[0193] As described above, according to the multi-layered information recording medium **2200** of Embodiment 6, the reliability of defect management information can be significantly improved.

[0194] Note that the disc medium of Embodiment 6 is a parallel path disc in which recording and reproduction are performed from the inner periphery to the outer periphery of the first recording layer **59** and from the inner periphery to the outer periphery of the second recording layer **60**. Similarly, in an opposite path disc in which recording and reproduction are performed from the inner periphery to the outer periphery in the recording layer **59** and from the outer periphery to the inner periphery in the recording layer **60**, defective areas can be managed.

[0195] Note that in Embodiment 6, four spare areas, i.e., the head spare area **2202**, the first intermediate spare area **2204**, the second intermediate spare area **2207**, and the end space area **2208**, are provided in the multi-layered information recording medium **2200**, however, any or all of them may be omitted. If none of the spare areas are present in the multi-layered information recording medium **2200**, a defect list is used to manage information relating to a defective area with no replacement area allocated.

[0196] Note that in Embodiment 6, for the sake of simplicity, the multi-layered information recording medium **2200**

having two recording layers has been described, however, even in the case of a multi-layered information recording medium having at least three recording layers, the above-described effect is obtained if a defect management area is provided on the inner periphery and the outer periphery of a reference layer and the inner periphery and the outer periphery of a recording layer other than the reference layer.

5 **[0197]** According to the multi-layered information recording medium of the present invention, control information areas, such as an area for storing recording and reproduction parameters for the multi-layered information recording medium, an area for storing information relating to defect management, or the like, is provided in a single recording layer, thereby making it possible to access control information at high speed.

10 **[0198]** According to the multi-layered information recording medium of the present invention, all defect management information for all recording layers is stored in a single recording layer, thereby making it possible to access defect management information at high speed.

[0199] According to the multi-layered information recording medium of the present invention, a spare defect list storing area is provided in a recording layer other than a recording layer storing defect management information, thereby making it possible to improve the reliability of defect management information.

15 **[0200]** According to the multi-layered information recording medium of the present invention, a disc definition structure area containing information indicating the location of a defect list and a spare defect list area which may store the defect list are located at substantially the same radial positions, thereby making it possible to access the defect list at high speed.

20 **[0201]** According to the multi-layered information recording medium of the present invention, all defect lists in all recording layers are managed in a unified manner, thereby making it possible to efficiently use a defect list area even if the incidence of defective areas varies between each recording layer.

[0202] According to the multi-layered information recording medium of the present invention, a detected defective area is replaced with a spare area in any recording layer, thereby making it possible to effectively use spare areas and improve the reliability of data.

25 **[0203]** According to the multi-layered information recording medium of the present invention, a defect management area is provided on one of the inner periphery and the outer periphery of each recording layer, thereby making it possible to obtain a larger user data capacity.

30 **[0204]** According to the information reproduction method and the information reproduction apparatus of the present invention, it is possible to reproduce information from a multi-layered information recording medium containing defect management information relating to a plurality of recording layer.

[0205] According to the information recording method and the information recording apparatus of the present invention, it is possible to record information in a multi-layered information recording medium containing defect management information relating to a plurality of recording layer.

35 **[0206]** Various other modifications will be apparent to and can be readily made by those skilled in the art without departing from the scope and spirit of this invention. Accordingly, it is not intended that the scope of the claims appended hereto be limited to the description as set forth herein, but rather that the claims be broadly construed.

Claims

40 1. A multi-layered information recording medium, comprising:

- a plurality of recording layers;
- a user data area for recording user data, provided in at least two of the plurality of recording layers; and
- 45 a defect list storing area for storing a defect list,

wherein when at least one defective area is detected in the user data area, the defect list is used to manage the at least one defective area.

50 2. A multi-layered information recording medium according to claim 1, further comprising:

- a defect list location information storing area for storing defect list location information indicating the location of the defect list storing area,

55 wherein the defect list location information storing area is provided in one of the plurality of recording layers which is predetermined as a reference layer.

3. A multi-layered information recording medium according to claim 2, wherein the reference layer is one of the

plurality of recording layers which is located at a predetermined distance from the data read-out surface of the multi-layered information recording medium.

- 5 4. A multi-layered information recording medium according to claim 2, wherein the reference layer is one of the plurality of recording layers which is located at the shortest distance from the data read-out surface of the multi-layered information recording medium.
- 10 5. A multi-layered information recording medium according to claim 2, wherein the reference layer is one of the plurality of recording layers which is located at the longest distance from the data read-out surface of the multi-layered information recording medium.
- 15 6. A multi-layered information recording medium according to claim 1, wherein the defect list indicates the location of the detected at least one defective area by a layer number for distinguishing the plurality of recording layer from each other and an intralayer address for indicating a position in each of the plurality of recording layers.
- 20 7. A multi-layered information recording medium according to claim 2, wherein the defect list storing area is provided in one of the plurality of recording layer, and
the defect list location information indicates the location of the defect list storing area by a layer number for distinguishing the plurality of recording layer from each other and an intralayer address for indicating a position in each of the plurality of recording layers.
- 25 8. A multi-layered information recording medium according to claim 1, further comprises a spare area containing at least one replacement area, wherein when at least one defective area is detected in the user data area, the at least one replacement area may be used in place of the at least one defective area.
- 30 9. A multi-layered information recording medium according to claim 8, wherein when the defective area is replaced with the replacement area, the defect list indicates the location of the defective area and the location of the replacement area by respective layer numbers for distinguishing the plurality of recording layers from each other and respective intralayer addresses for indicating a position in each of the plurality of recording layers.
- 35 10. A multi-layered information recording medium according to claim 1, wherein the defect list storing area is provided one of the plurality of recording layers,
the multi-layered information recording medium further comprises an additional defect list storing area for storing a defect list having the same contents as the contents of the defect list stored in the defect list storing area, and
the additional defect list storing area is provided in another one of the plurality of recording layers.
- 40 11. A multi-layered information recording medium according to claim 10, further comprising:
a first defect list location information storing area for storing first defect list location information indicating the location of the defect list storing area; and
a second defect list location information storing area for storing a second defect list location information indicating the location of the additional defect list storing area,
45 wherein the first defect list location information storing area is provided in the same recording layer as that in which the defect list storing area is provided, and
the second defect list location information storing area is provided in the same recording layer as that in which the additional defect list storing area is provided.
- 50 12. A multi-layered information recording medium according to claim 11, wherein the recording layer in which the defect list storing area is provided comprises a first defect management area containing the defect list storing area and the first defect list location information storing area,
the recording layer in which the additional defect list storing area is provided comprises a second defect management area containing the additional defect list storing area and the second defect list location information storing area,
55 logical addresses are assigned to the user data area,
an area of the user data area to which the smallest logical address is assigned is provided in the recording layer in which the defect list storing area is provided,

an area of the user data area to which the greatest logical address is assigned is provided in the recording layer in which the additional defect list storing area is provided,
the first defect management area is adjacent to the area to which the smallest logical address is assigned, and
the second defect management area is adjacent to the area to which the greatest logical address is assigned.

5

13. A multi-layered information recording medium, comprising:

a plurality of recording layers;
a user data area for recording user data, provided in at least two of the plurality of recording layers;
a defect management area provided in at least one of the plurality of recording layers; and
a spare defect list storing area provided in another one of the plurality of recording layers,

10

wherein the defect management area contains a plurality of first defect list storing areas for storing a defect list, wherein when at least one defective area is detected in the user data area, the defect list is used to manage the at least one defective area, and

15

the spare defect list storing area contains a plurality of second defect list storing areas capable of being used in place of the plurality of first defect list storing areas when none of the plurality of first defect list storing areas is usable.

20

14. A multi-layered information recording medium according to claim 13, wherein the defect management area and the spare defect list storing area are located at substantially the same radial positions in the multi-layered information recording medium.

25

15. A multi-layered information recording medium according to claim 13, wherein the defect management area further comprises a defect list location information storing area for storing defect list location information indicating the location of an area storing the defect list among the plurality of first defect list storing areas and the plurality of second spare defect list storing areas.

30

16. An apparatus for reproducing information recorded in a multi-layered information recording medium, wherein the multi-layered information recording medium comprises:

a plurality of recording layers;
a user data area for recording user data, provided in at least two of the plurality of recording layers; and
a defect list storing area for storing a defect list,

35

wherein when at least one defective area is detected in the user data area, the defect list is used to manage the at least one defective area,

wherein the apparatus comprises:

40

an optical head section capable of optically reading the information recorded in the multi-layered information recording medium from one side of the multi-layered information recording medium; and
a control section for controlling defect management using the optical head section,

45

wherein the defect management comprises the steps of:

reproducing the defect list stored in the defect list storing area; and
reproducing the user data recorded in the user data area based on the reproduced defect list.

50

17. An apparatus according to claim 16, wherein the multi-layered information recording medium further comprises:

a defect list location information storing area for storing defect list location information indicating the location of the defect list storing area,

55

wherein the defect list location information storing area is provided in one of the plurality of recording layers which is predetermined as a reference layer, and

the defect management further comprises identifying the location of the defect list storing area by reproducing the defect list location information stored in the defect list location information storing area.

18. An apparatus according to claim 16, wherein the multi-layered information recording medium further comprises:

a spare area for containing at least one replacement area, wherein when at least one defective area is detected in the user data area, the at least one replacement area may be used in place of the at least one defective area,

wherein the defect list indicates that a defective area present in the user data area is replaced with the replacement area contained in the spare area,

wherein the step of reproducing the user data comprises reproducing user data from the replacement area indicated by the defect list instead of the defective area indicated by the defect list.

19. An apparatus for recording information in a multi-layered information recording medium, wherein the multi-layered information recording medium comprises:

a plurality of recording layers;

a user data area for recording user data, provided in at least two of the plurality of recording layers; and

a defect list storing area for storing a defect list,

wherein when at least one defective area is detected in the user data area, the defect list is used to manage the at least one defective area,

wherein the apparatus comprises:

an optical head section capable of optically recording the information in the multi-layered information recording medium from one side of the multi-layered information recording medium; and
a control section for controlling defect management using the optical head section,

wherein the defect management comprises the steps of:

determining whether or not a defective area is present in the user data area during recording of user data in the user data area; and

updating the defect list so as to manage a defective area when it is determined that the defective area is present in the user data area.

20. An apparatus according to claim 19, wherein the multi-layered information recording medium further comprises an additional defect list storing area capable of being used in place of the defect list storing area when the defect list storing area is unusable,

wherein the defect management further comprises recording a defect list having the same contents as the contents of a defect list stored in the defect list storing area to the additional defect list storing area, when the defect list storing area is unusable.

21. An apparatus according to claim 20, wherein the multi-layered information recording medium further comprises:

a defect list location information storing area for storing defect list location information indicating the location of a defect list,

wherein the defect list location information storing area is provided in one of the plurality of recording layers which is predetermined as a reference layer,

wherein the defect management further comprises updating the defect list location information so that the defect list location information indicates the additional defect list storing area, when the additional defect list storing area is used in place of the defect list storing area.

22. An apparatus according to claim 20, wherein the multi-layered information recording medium further comprises:

a defect management area provided in one of the plurality of recording layers; and

a spare defect list storing area provided in another one of the plurality of recording layer,

wherein the defect management area comprises a plurality of defect list storing areas,
the spare defect list storing area comprises a plurality of additional defect list storing areas,
the defect list storing area is one of the plurality of defect list storing areas,

the additional defect list storing area is one of the plurality of additional defect list storing area, and when none of the plurality of defect list storing areas is usable, the additional defect list storing area is used in place of the defect list storing area.

5 **23.** An apparatus according to claim 20, wherein the defect list storing area is provided in one of the plurality of recording layers, and
the additional defect list storing area is provided in the same recording layer as that in which the defect list storing area is provided.

10 **24.** An apparatus according to claim 20, wherein the defect list storing area is provided in one of the plurality of recording layers, and
the additional defect list storing area is provided in another one of the plurality of recording layers.

15 **25.** An apparatus according to claim 19, wherein the multi-layered information recording medium further comprises:
a spare area for containing at least one replacement area, wherein when at least one defective area is detected in the user data area, the at least one replacement area may be used in place of the at least one defective area,
wherein the defect management further comprises replacing the defective area present in the user data area
20 with the replacement area contained in the spare area.

26. A method for reproducing information recorded in a multi-layered information recording medium,
wherein the multi-layered information recording medium comprises:
25 a plurality of recording layers;
a user data area for recording user data, provided in at least two of the plurality of recording layers; and
a defect list storing area for storing a defect list,
wherein when at least one defective area is detected in the user data area, the defect list is used to manage the
30 at least one defective area,
wherein the method comprises the steps of:
reproducing the defect list stored in the defect list storing area; and
reproducing the user data recorded in the user data area based on the reproduced defect list.
35

27. A method according to claim 26, wherein the multi-layered information recording medium further comprises:
a defect list location information storing area for storing defect list location information indicating the location
40 of the defect list storing area,
wherein the defect list location information storing area is provided in one of the plurality of recording layers
which is predetermined as a reference layer,
the method further comprises identifying the location of the defect list storing area by reproducing the defect
list location information stored in the defect list location information storing area.
45

28. A method according to claim 26, wherein the multi-layered information recording medium further comprises:
a spare area for containing at least one replacement area, wherein when at least one defective area is detected
50 in the user data area, the at least one replacement area may be used in place of the at least one defective area,
wherein the defect list indicates that a defective area present in the user data area is replaced with the
replacement area contained in the spare area,
wherein the step of reproducing the user data comprises reproducing user data from the replacement area
indicated by the defect list instead of the defective area indicated by the defect list.
55

29. A method for recording information in a multi-layered information recording medium,
wherein the multi-layered information recording medium comprises:

a plurality of recording layers;
a user data area for recording user data, provided in at least two of the plurality of recording layers; and
a defect list storing area for storing a defect list,

5 wherein when at least one defective area is detected in the user data area, the defect list is used to manage the
at least one defective area,
wherein the method comprises the steps of:

10 determining whether or not a defective area is present in the user data area during recording of user data in
the user data area; and
updating the defect list so as to manage a defective area when it is determined that the defective area is
present in the user data area.

15 **30.** A method according to claim 29, wherein the multi-layered information recording medium further comprises an
additional defect list storing area capable of being used in place of the defect list storing area when the defect list
storing area is unusable,
wherein the method further comprises recording a defect list having the same contents as the contents of a
defect list stored in the defect list storing area to the additional defect list storing area, when the defect list storing
area is unusable.

20 **31.** A method according to claim 30, wherein the multi-layered information recording medium further comprises:

a defect list location information storing area for storing defect list location information indicating the location
of a defect list,

25 wherein the defect list location information storing area is provided in one of the plurality of recording layers
which is predetermined as a reference layer,
wherein the method further comprises updating the defect list location information so that the defect list
location information indicates the additional defect list storing area, when the additional defect list storing area is
used in place of the defect list storing area.

30 **32.** A method according to claim 30, wherein the multi-layered information recording medium further comprises:

a defect management area provided in one of the plurality of recording layers; and
a spare defect list storing area provided in another one of the plurality of recording layer,

35 wherein the defect management area comprises a plurality of defect list storing areas,
the spare defect list storing area comprises a plurality of additional defect list storing areas,
the defect list storing area is one of the plurality of defect list storing areas,
40 the additional defect list storing area is one of the plurality of additional defect list storing area, and
when none of the plurality of defect list storing areas is usable, the additional defect list storing area is used
in place of the defect list storing area.

45 **33.** A method according to claim 30, wherein the defect list storing area is provided in one of the plurality of recording
layers, and
the additional defect list storing area is provided in the same recording layer as that in which the defect list
storing area is provided.

50 **34.** A method according to claim 30, wherein the defect list storing area is provided in one of the plurality of recording
layers, and
the additional defect list storing area is provided in another one of the plurality of recording layers.

55 **35.** A method according to claim 29, wherein the multi-layered information recording medium further comprises:

a spare area for containing at least one replacement area, wherein when at least one defective area is detected
in the user data area, the at least one replacement area may be used in place of the at least one defective area,
wherein the method further comprises replacing the defective area present in the user data area with the

EP 1 329 888 A1

replacement area contained in the spare area.

5

10

15

20

25

30

35

40

45

50

55

FIG. 1

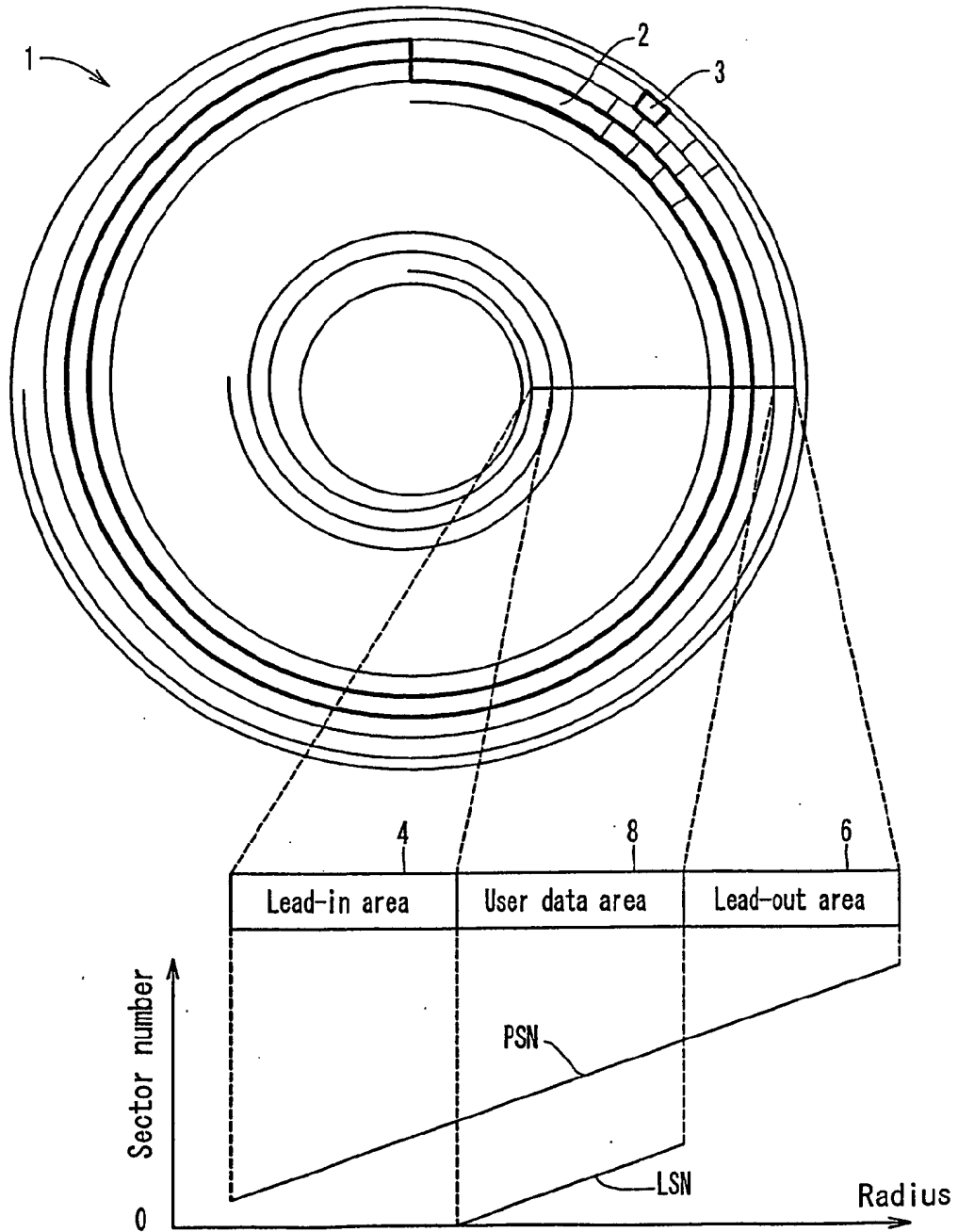


FIG. 2

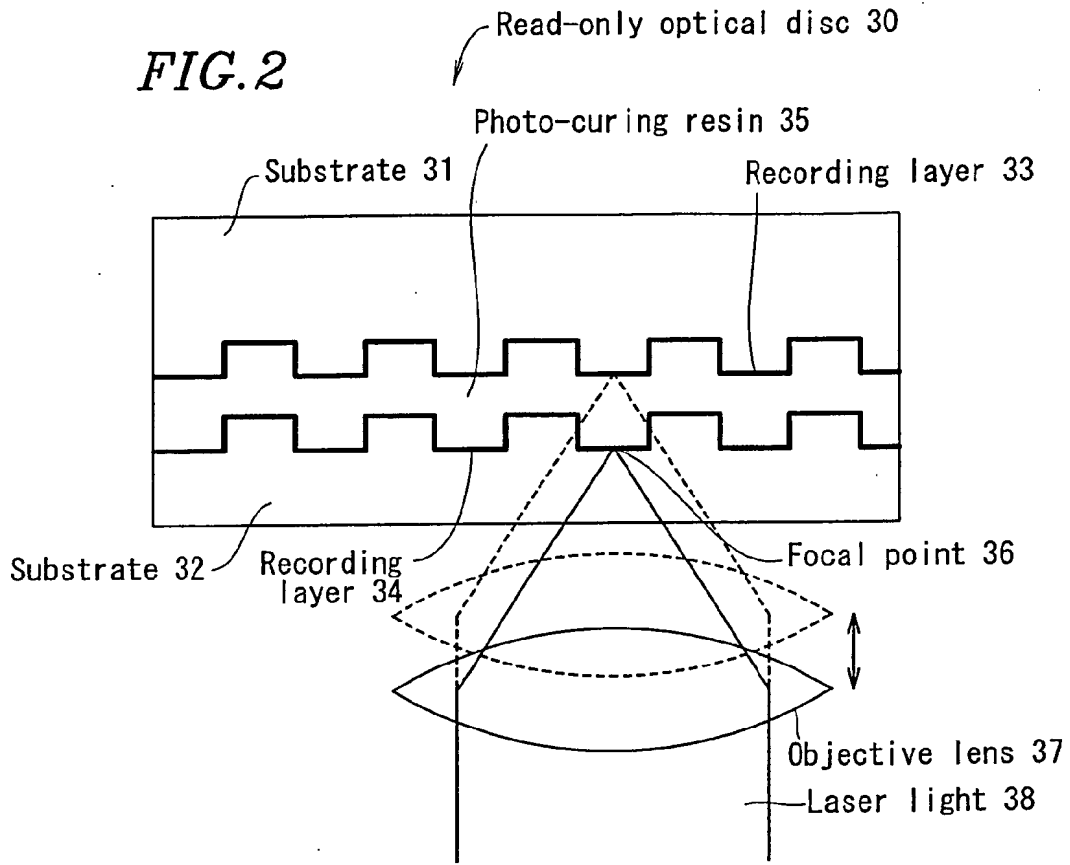


FIG. 3A

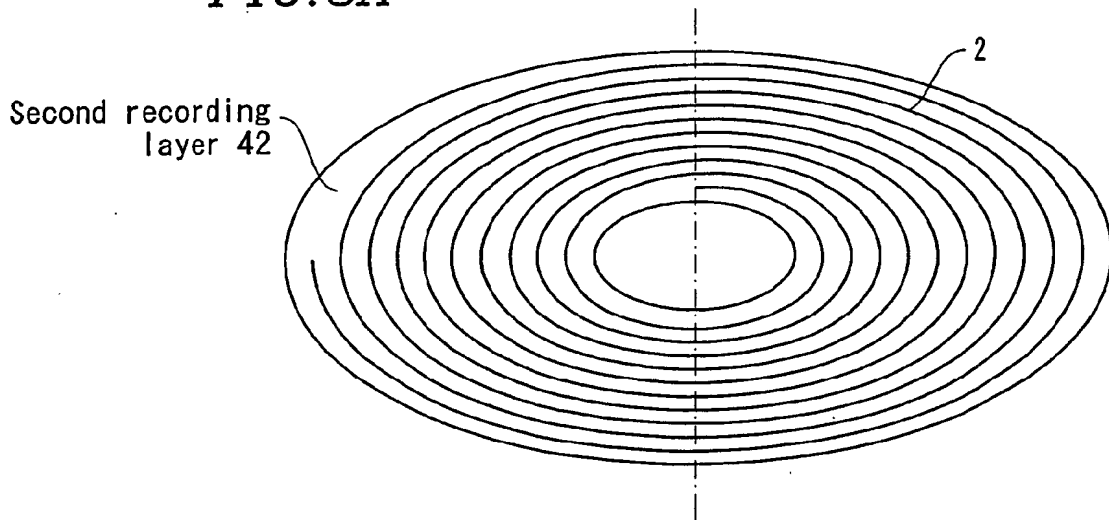


FIG. 3B

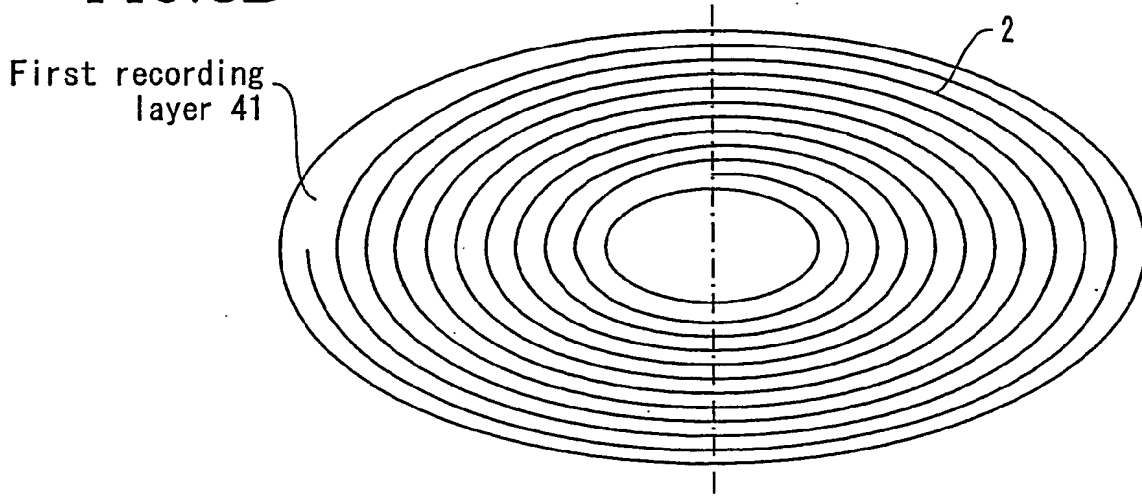


FIG. 3C

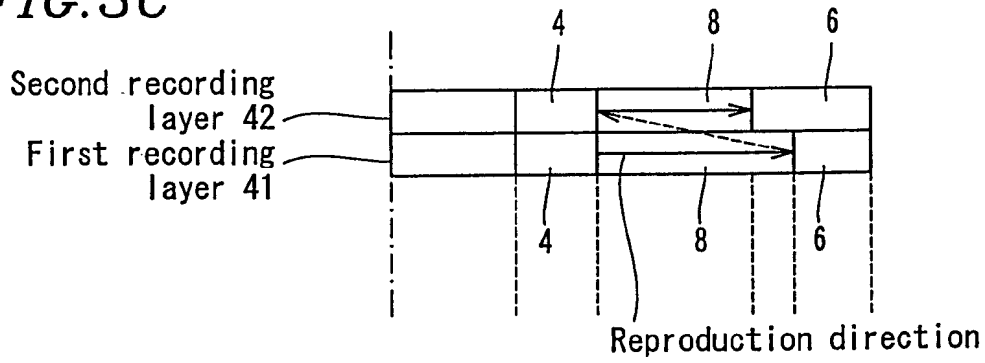


FIG. 3D

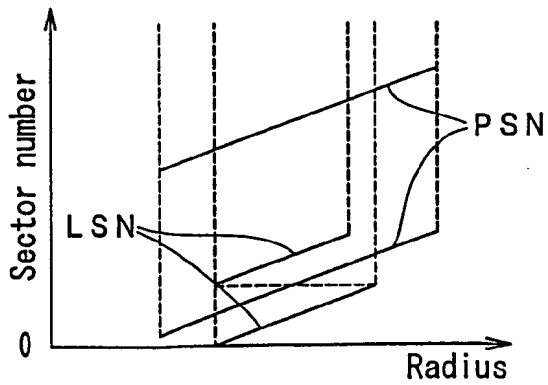


FIG. 4A

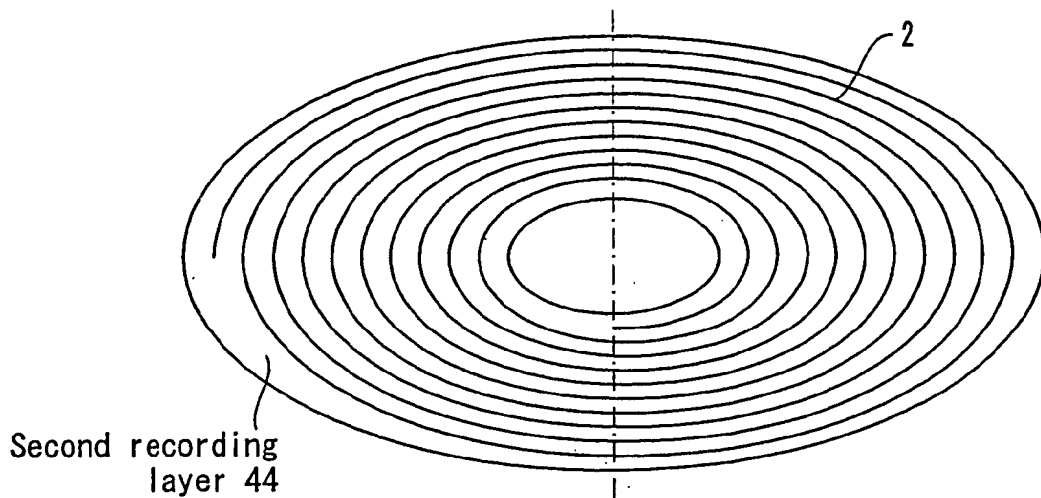


FIG. 4B
First recording layer 43

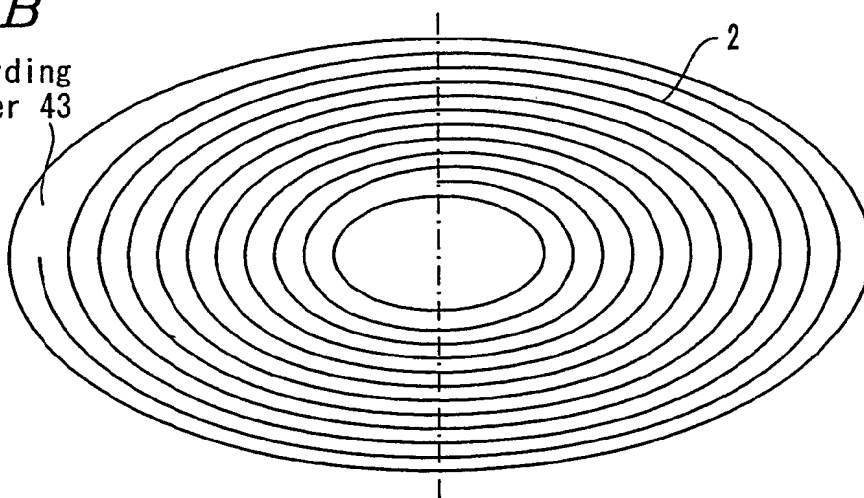


FIG. 4C
Second recording layer 44
First recording layer 43

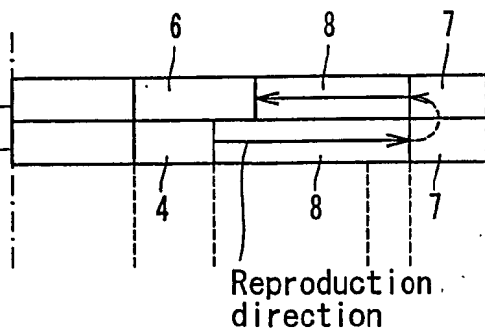


FIG. 4D

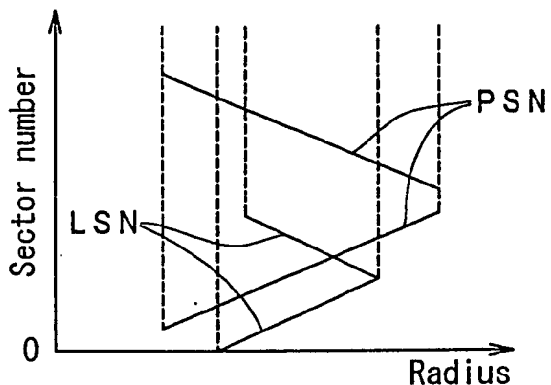


FIG. 5A

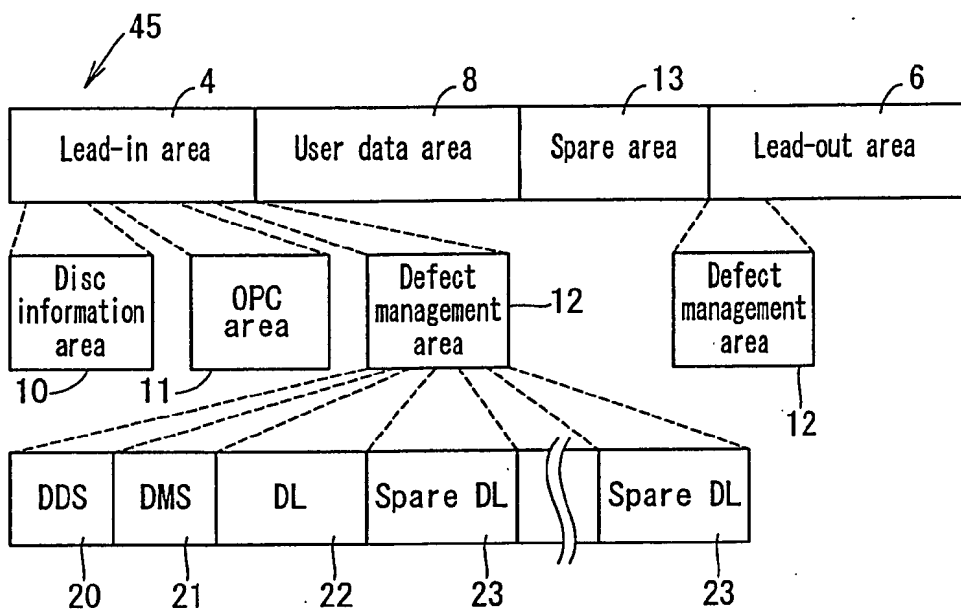


FIG. 5B

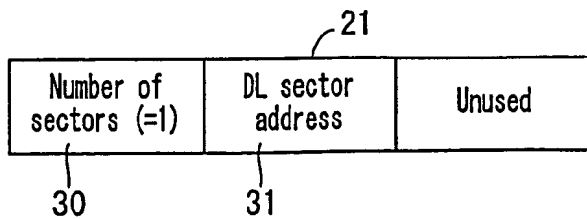


FIG. 5C

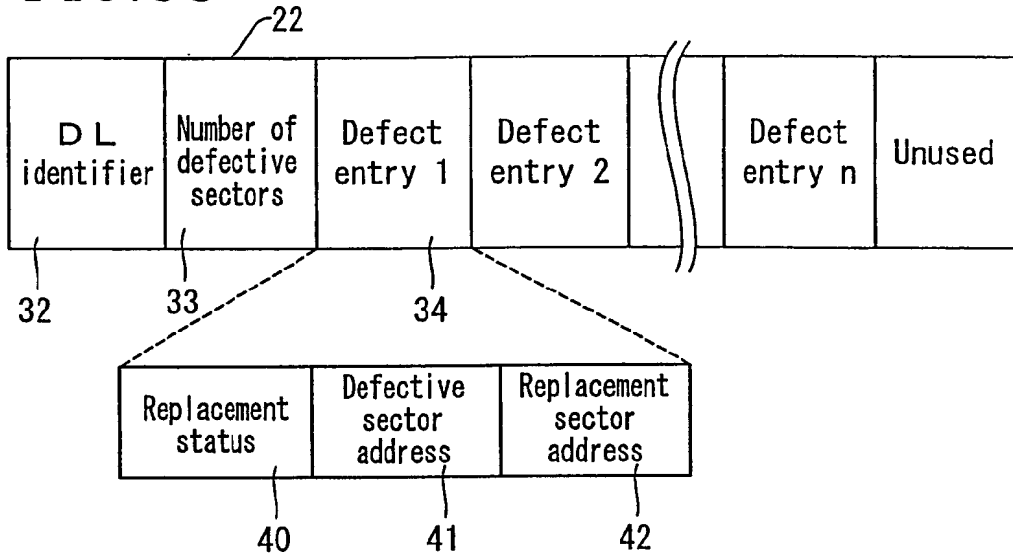


FIG. 6

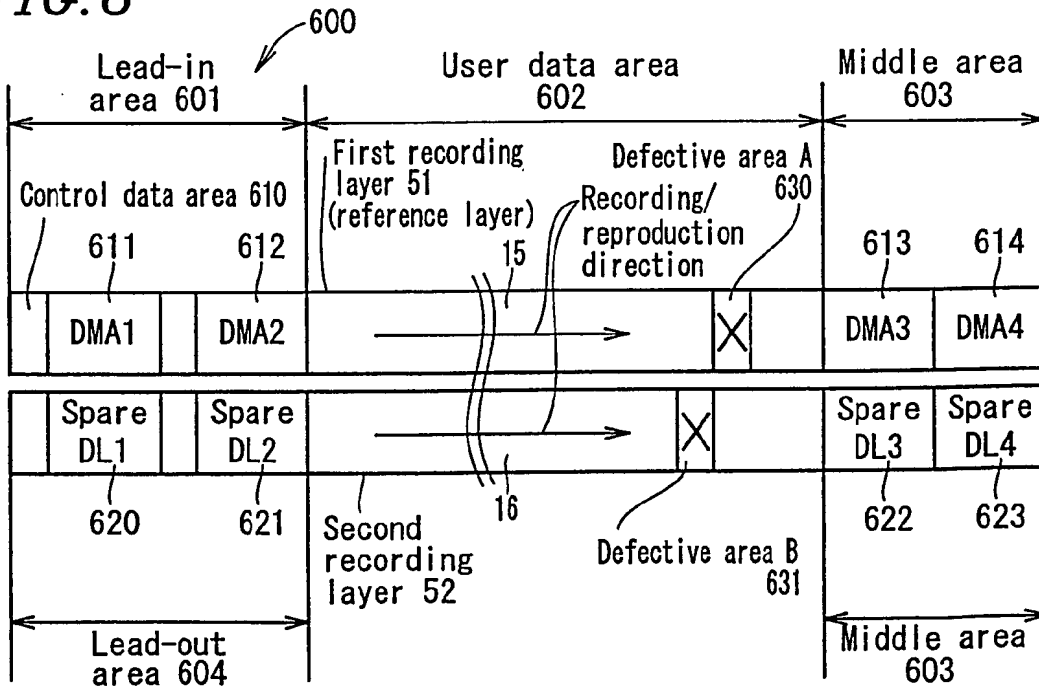


FIG. 7

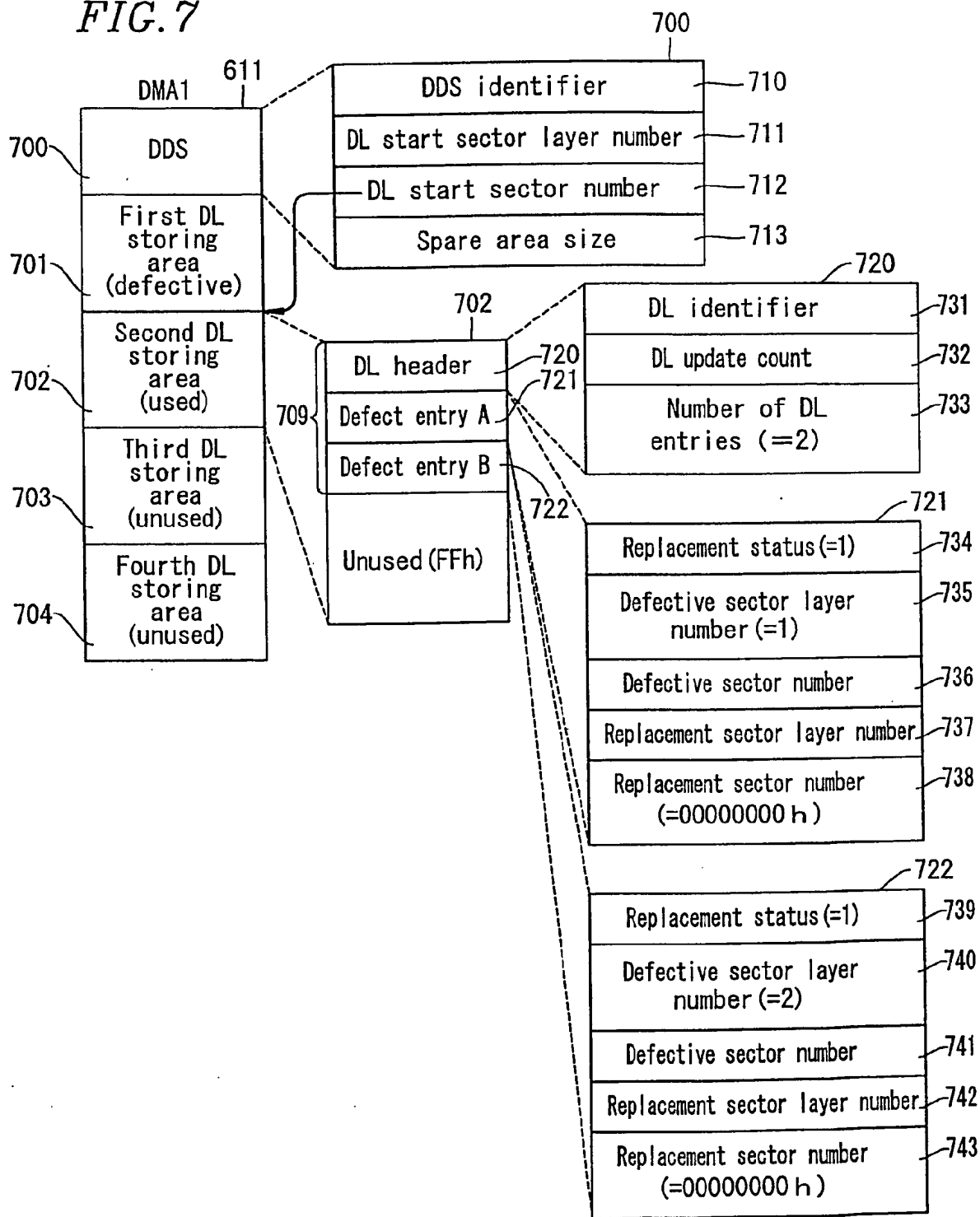


FIG. 8

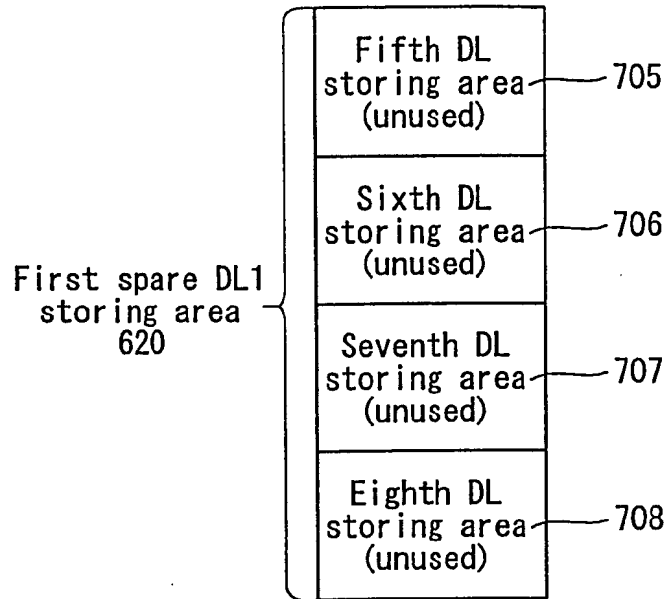


FIG. 9

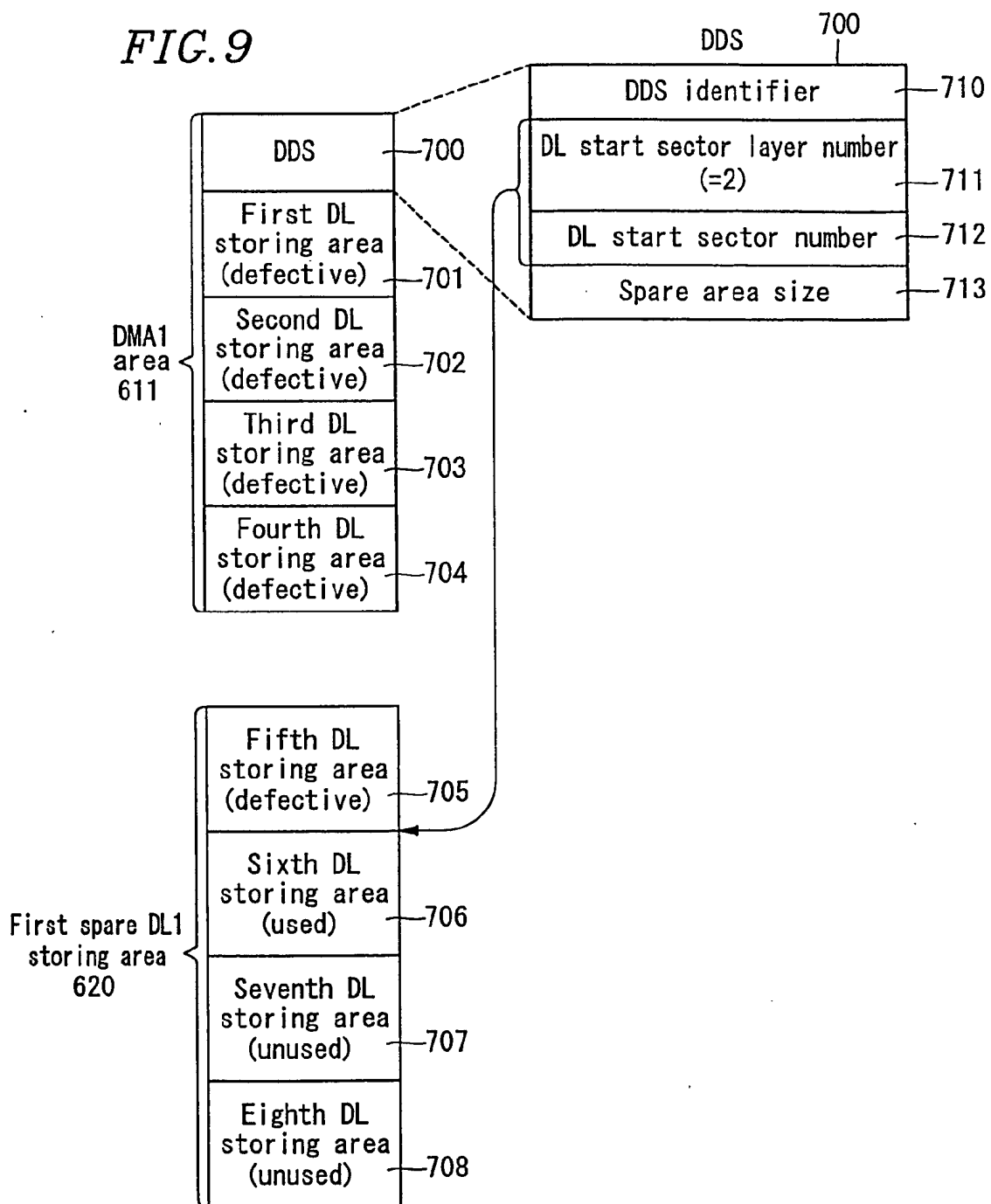
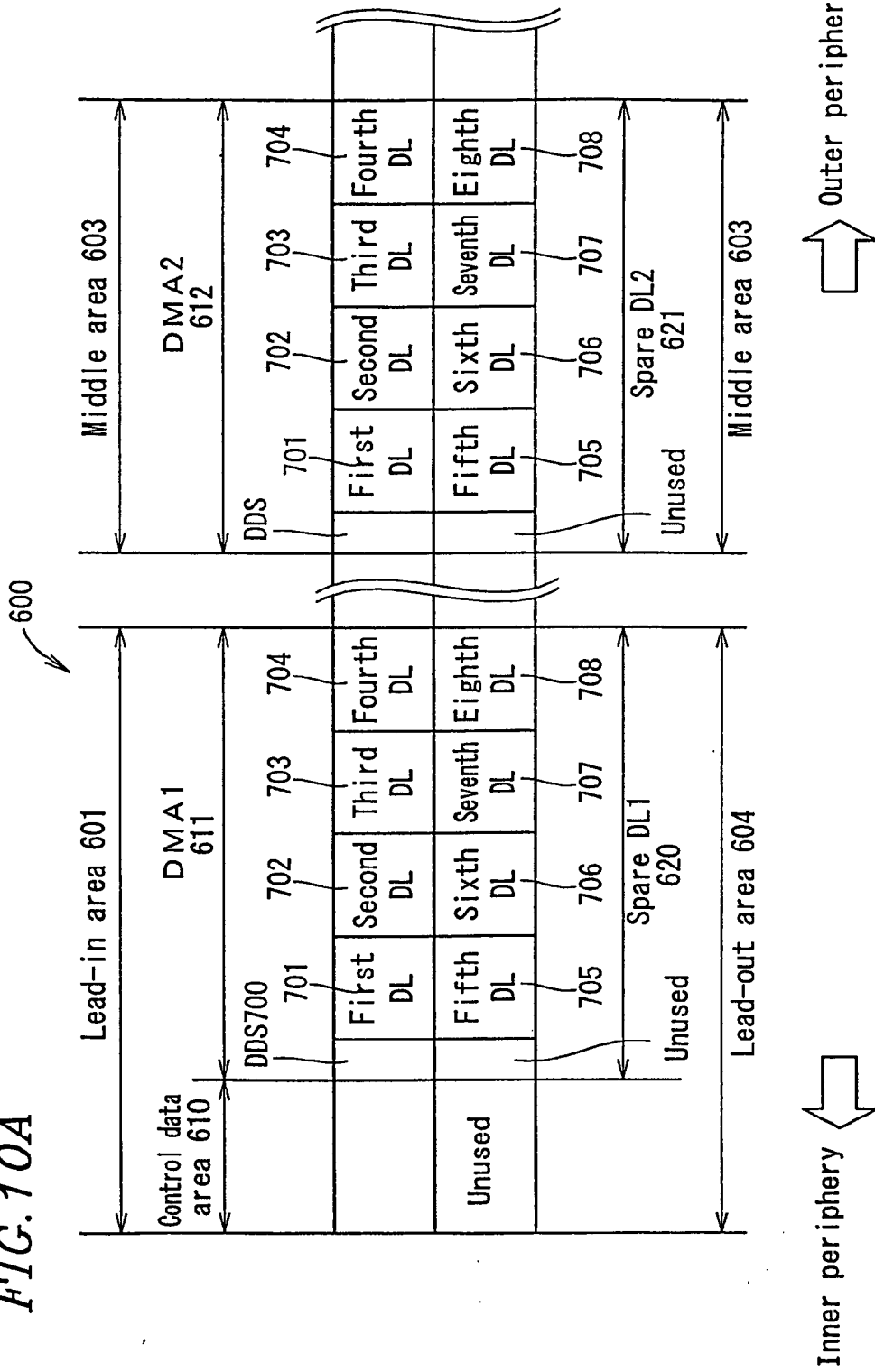


FIG. 10A



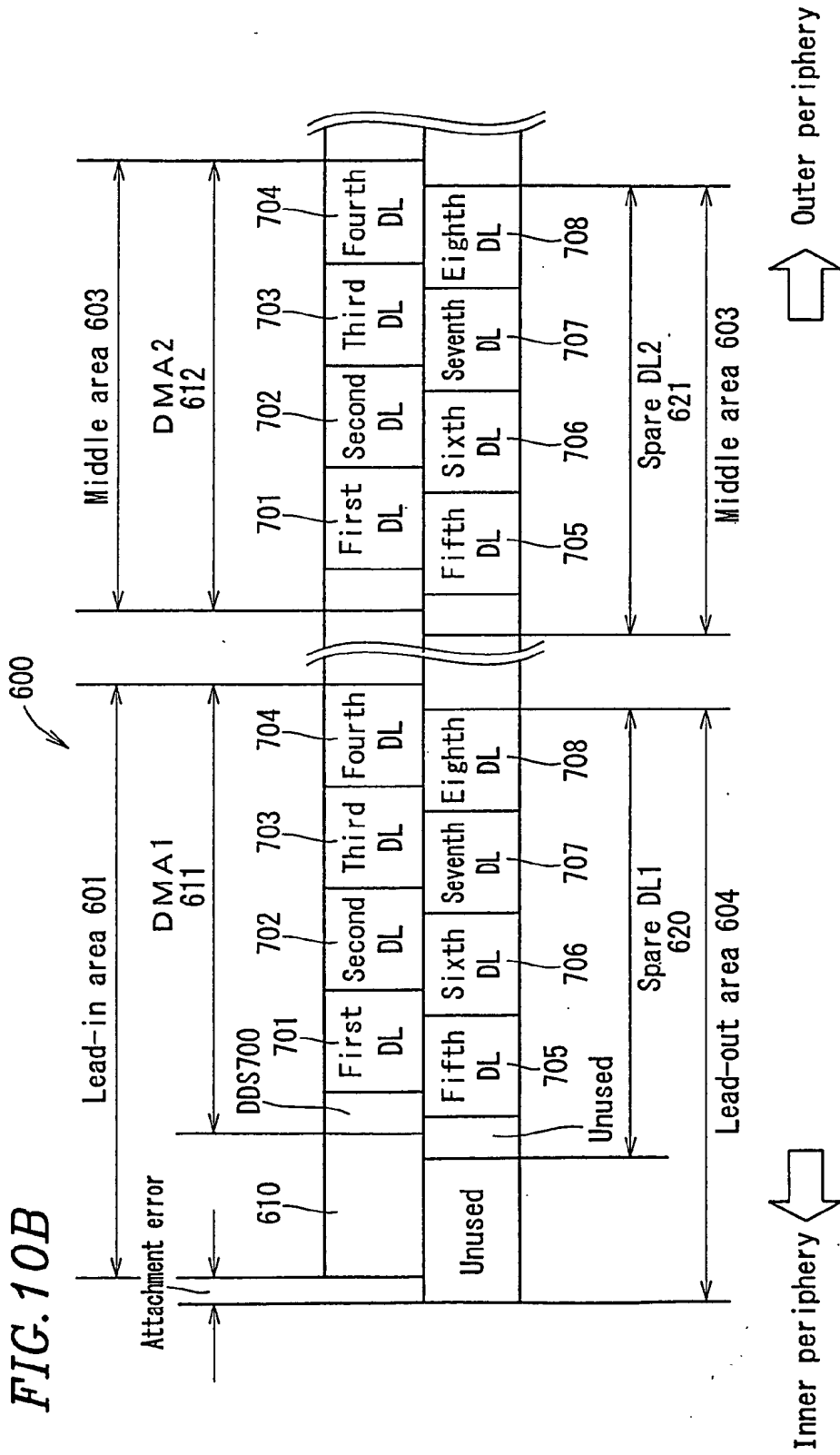


FIG. 10C

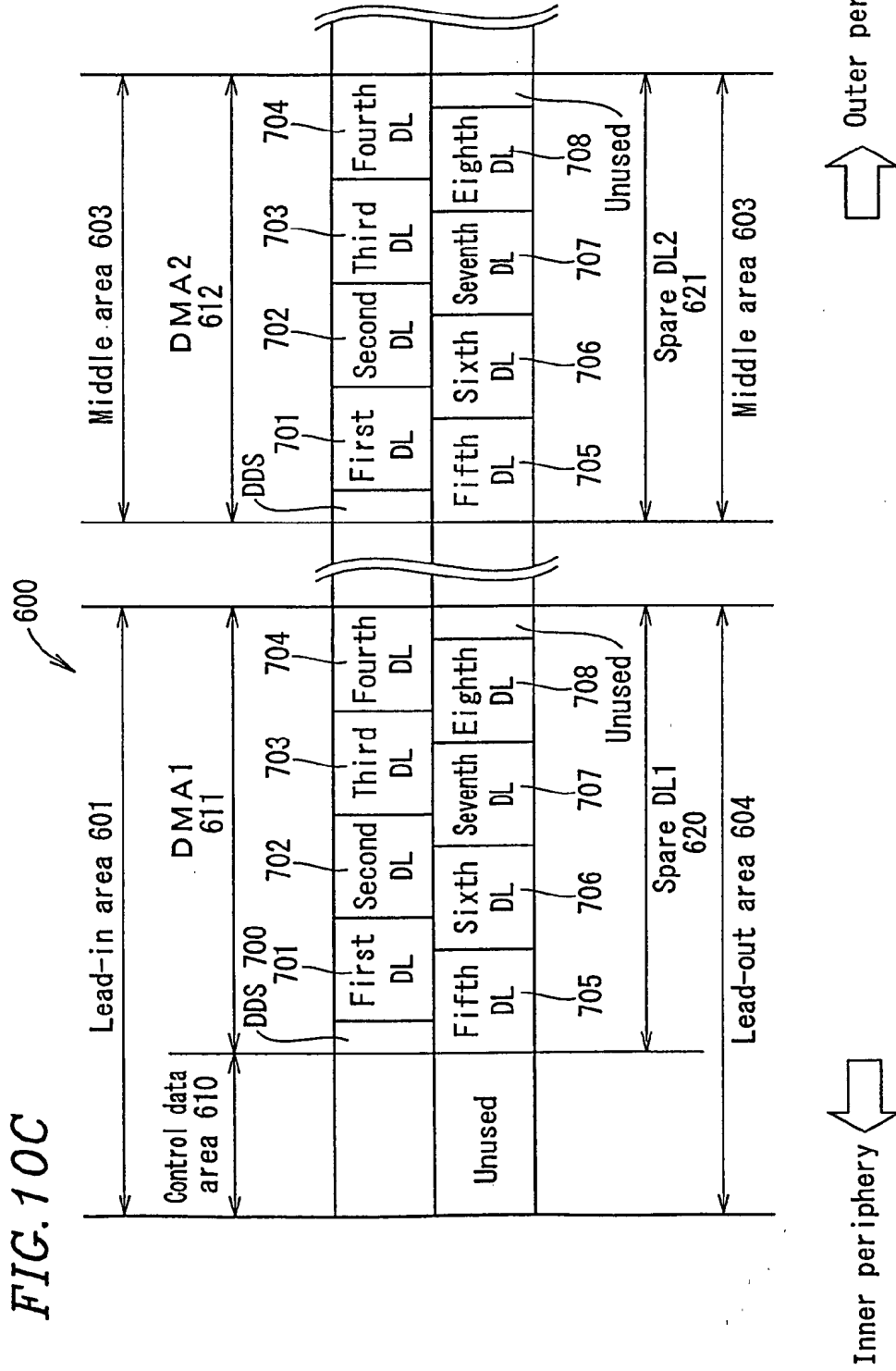


FIG. 11

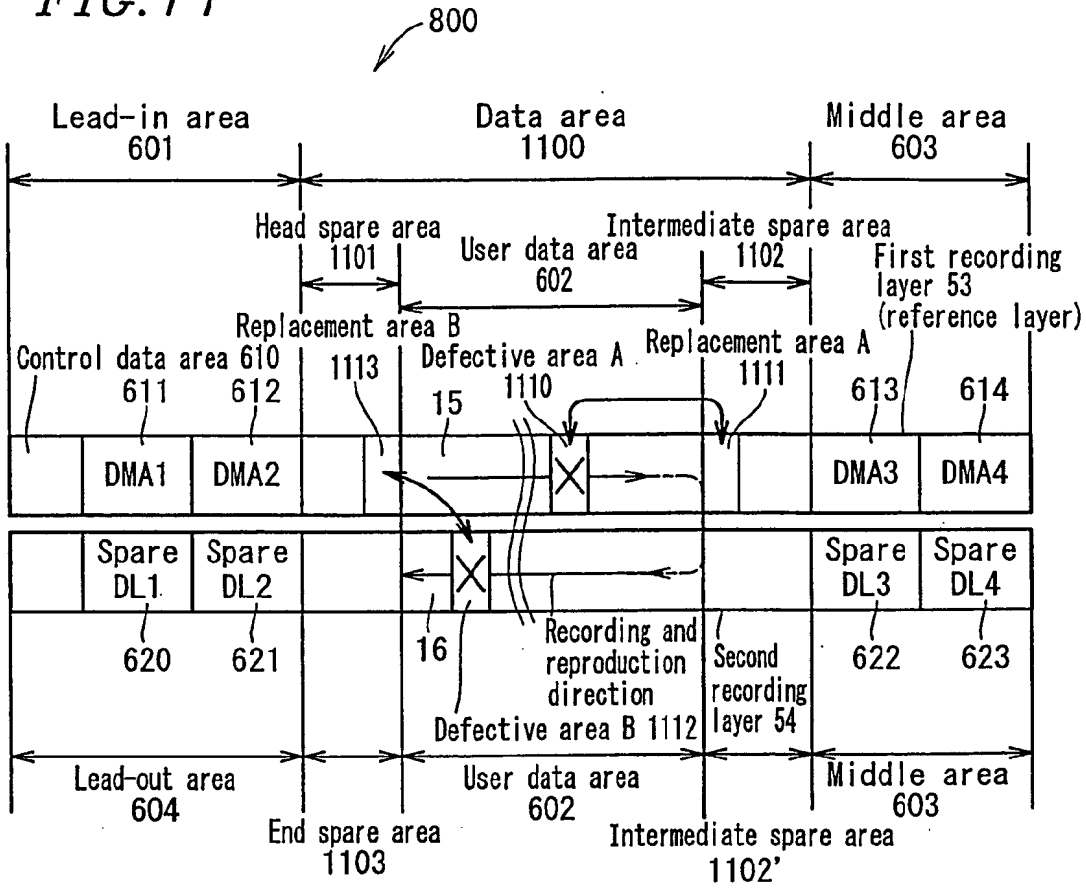
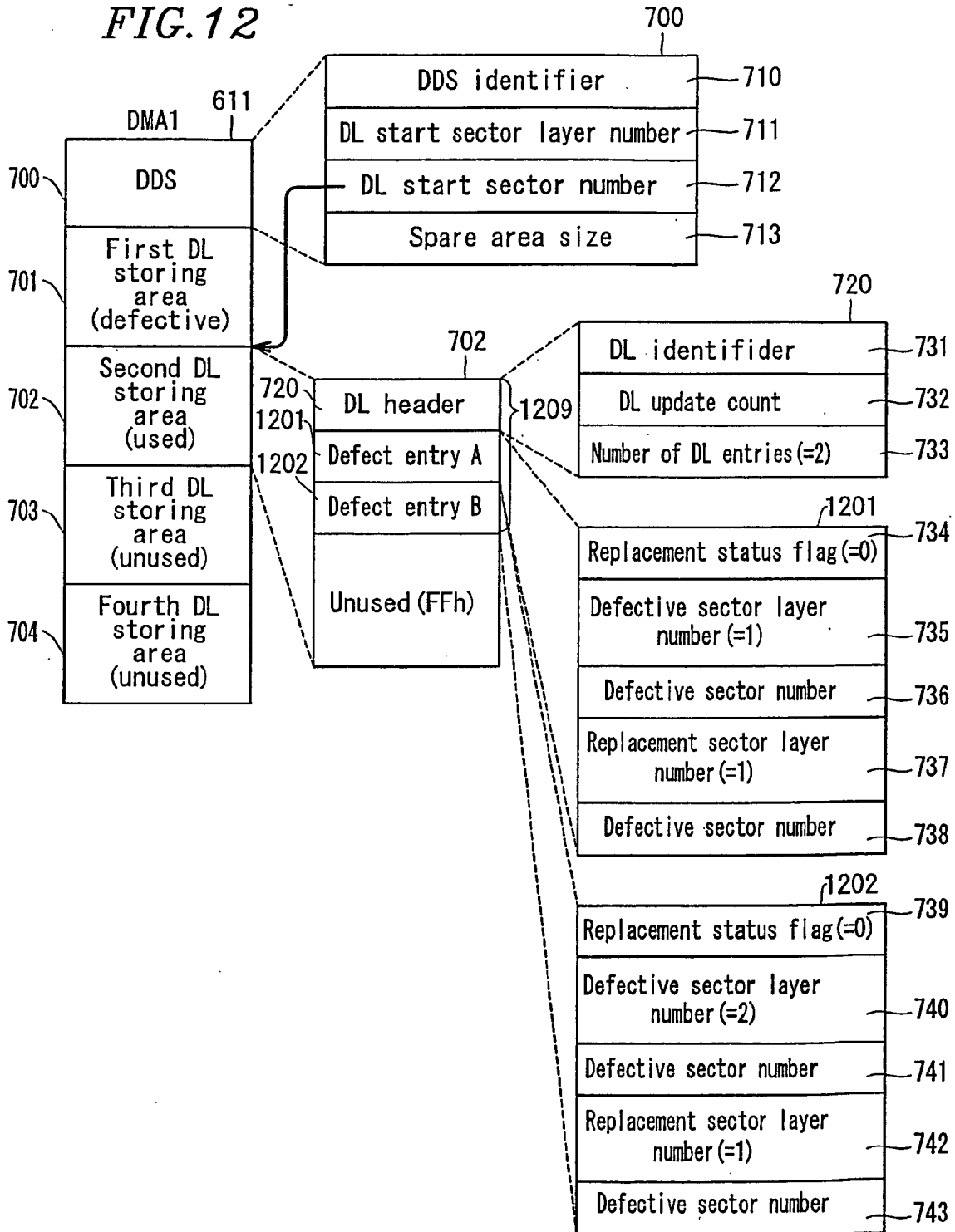


FIG. 12



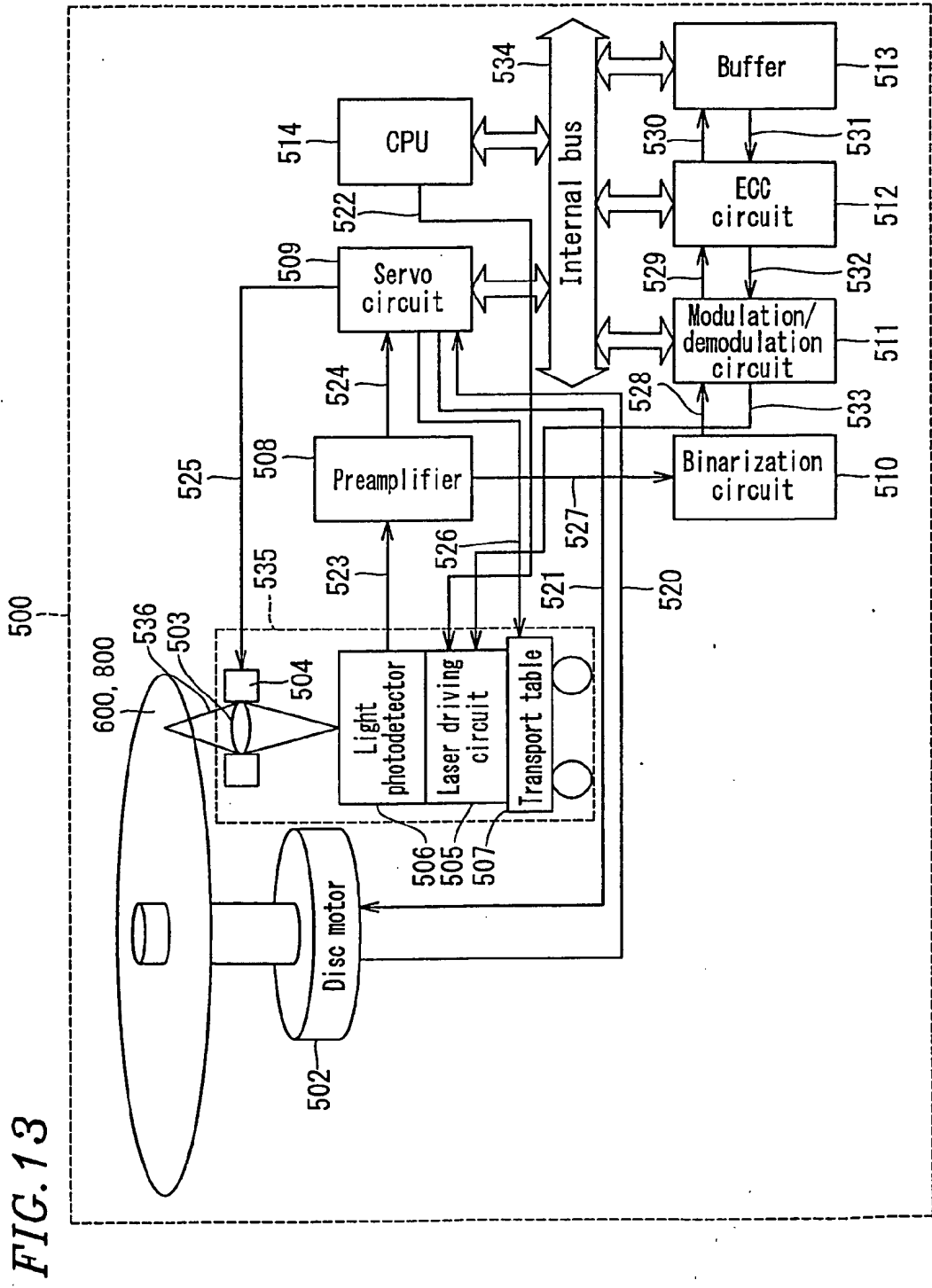


FIG. 14

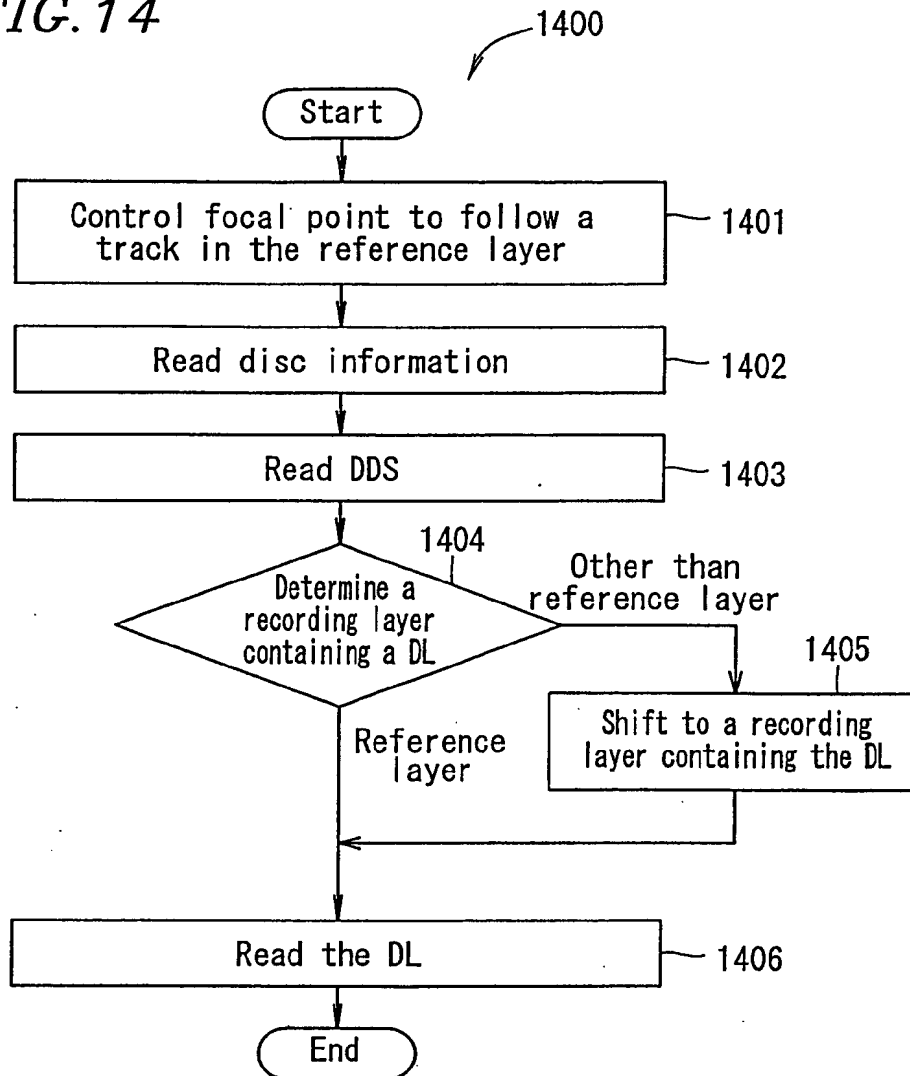


FIG. 15

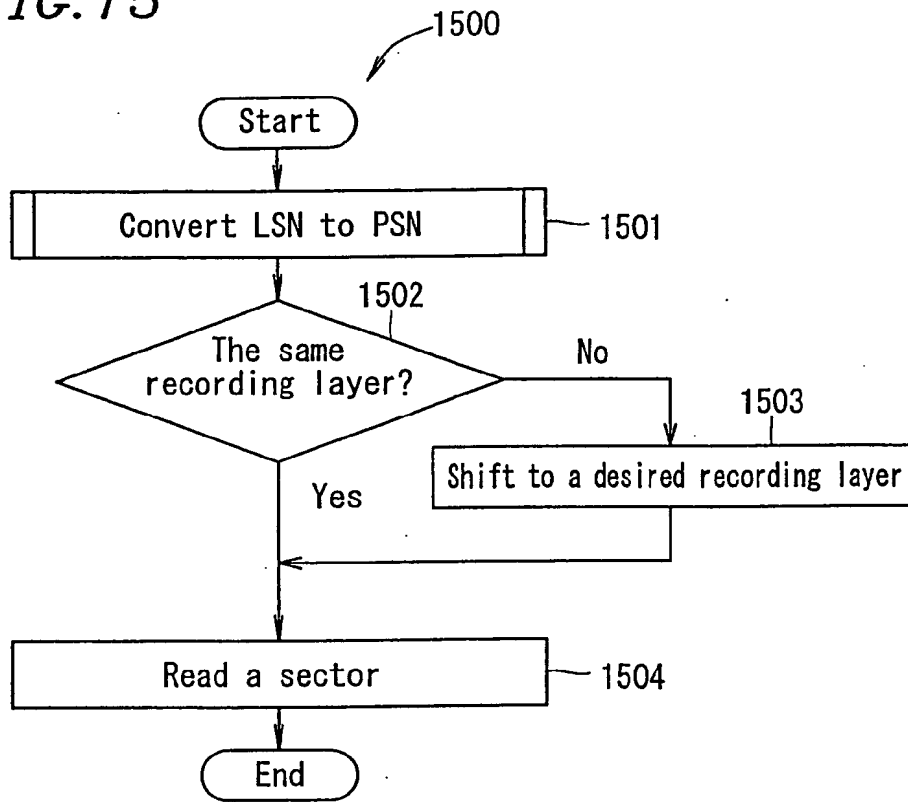


FIG. 16

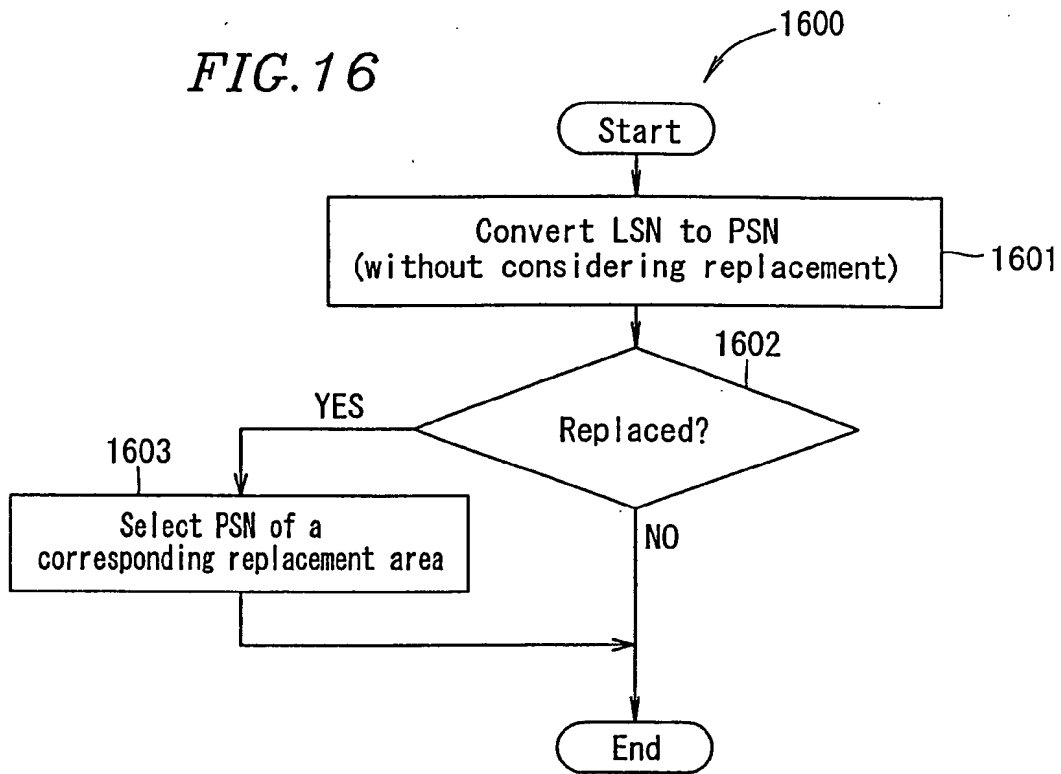


FIG. 17

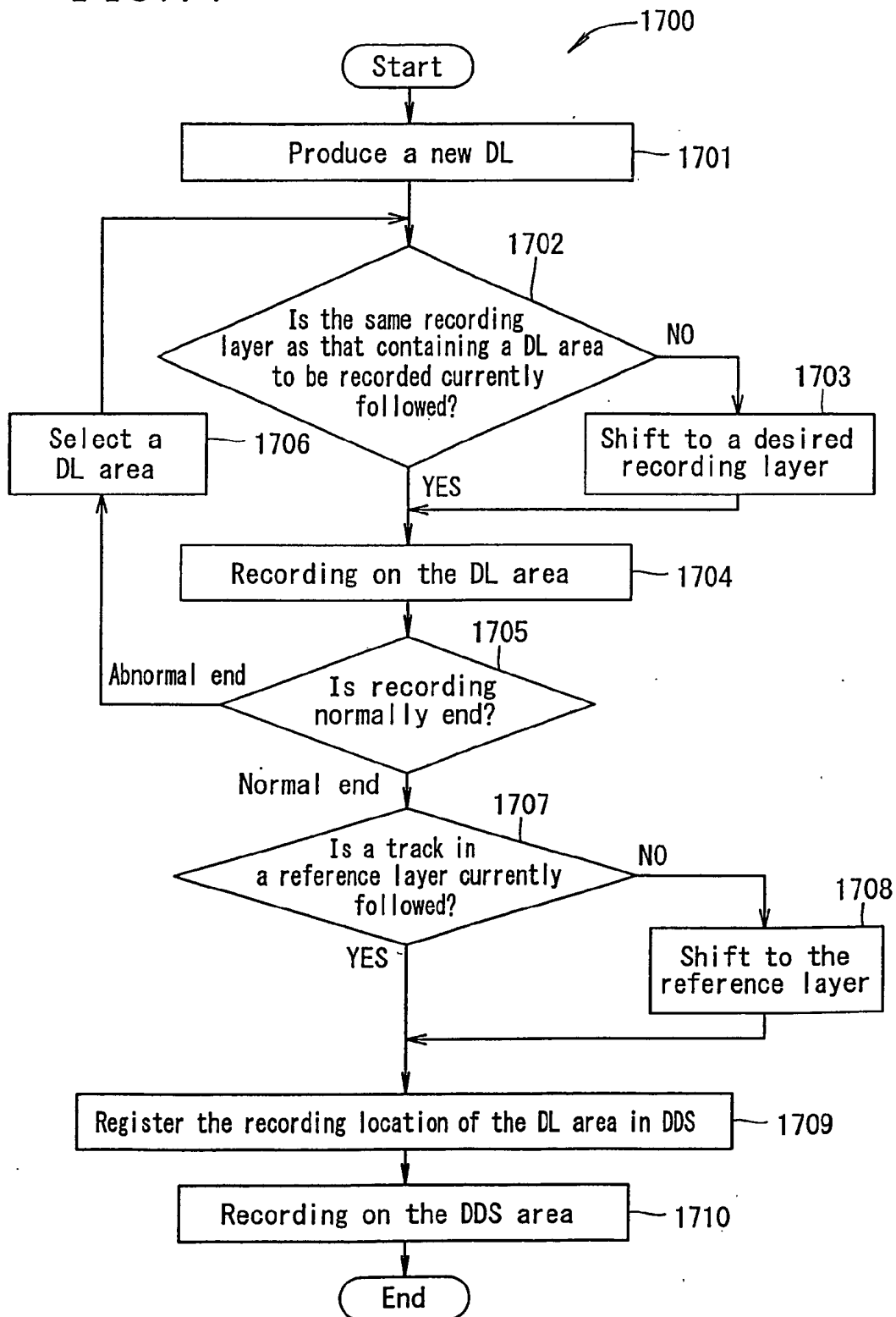


FIG. 18

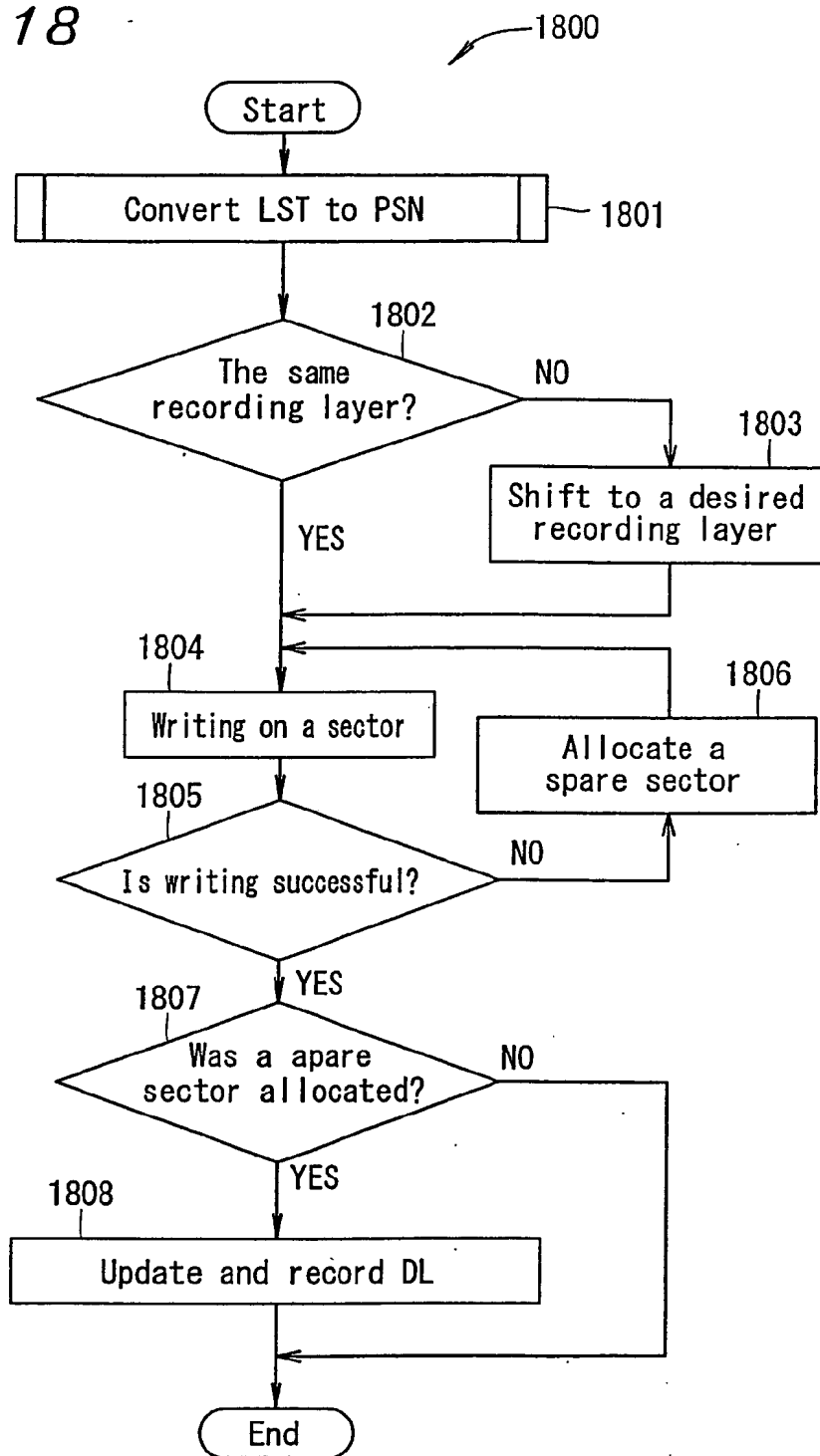


FIG. 19

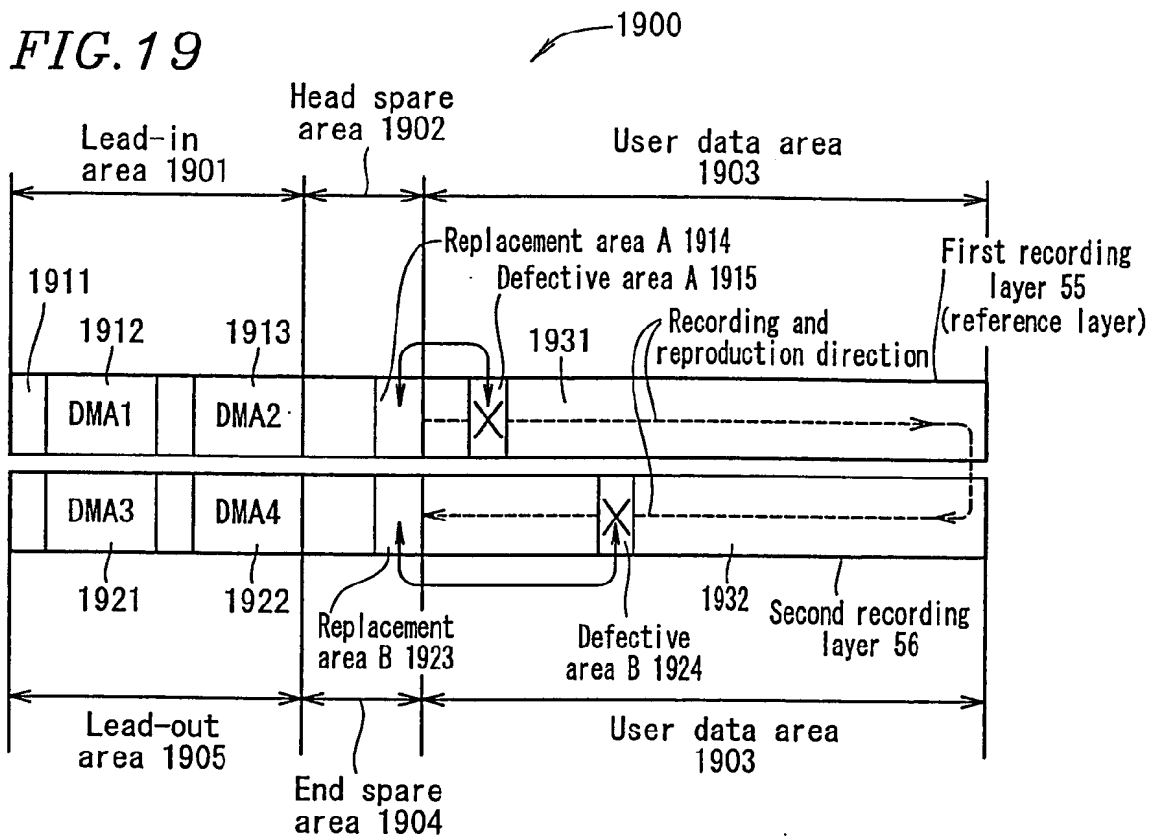


FIG. 20

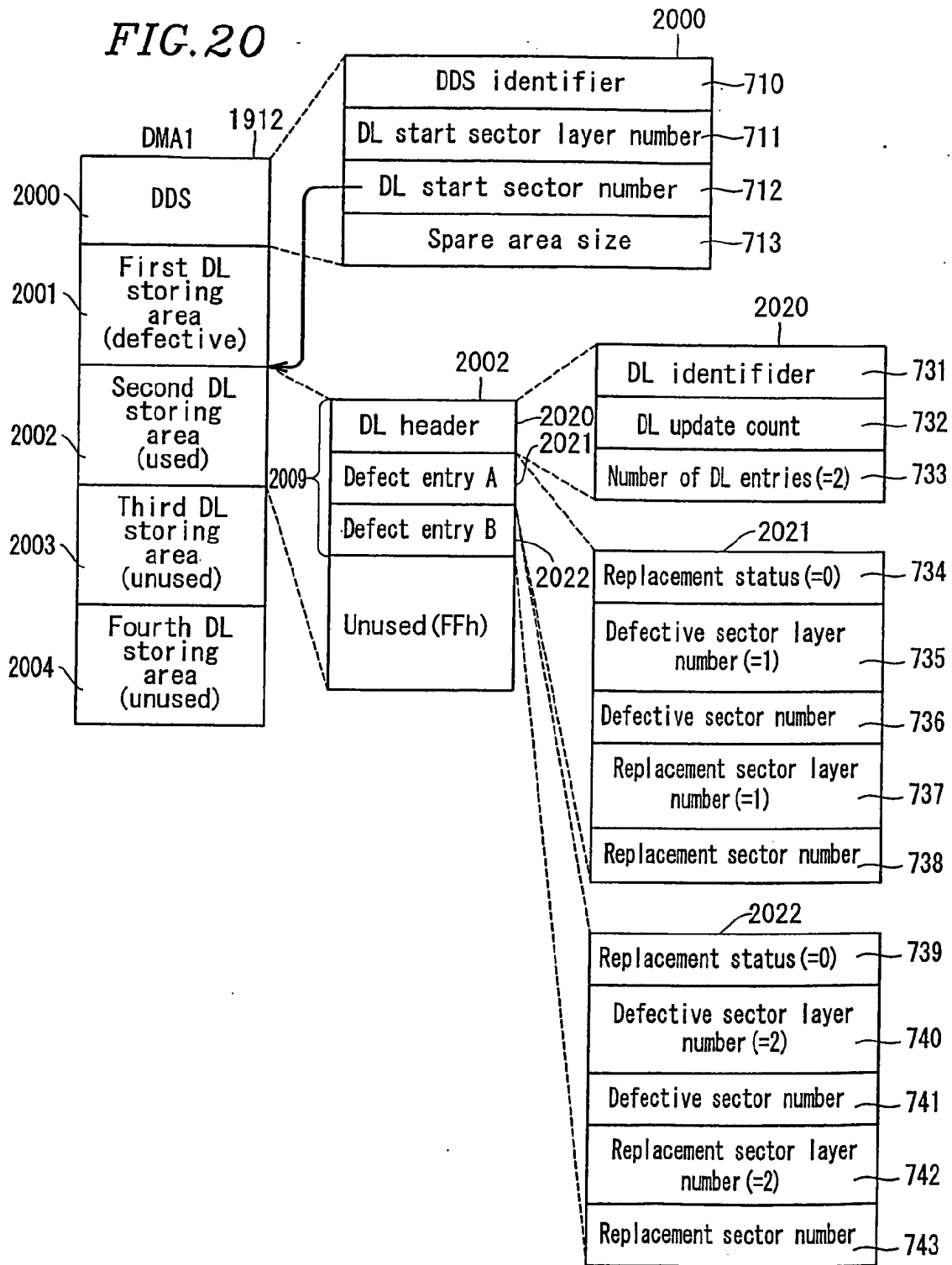
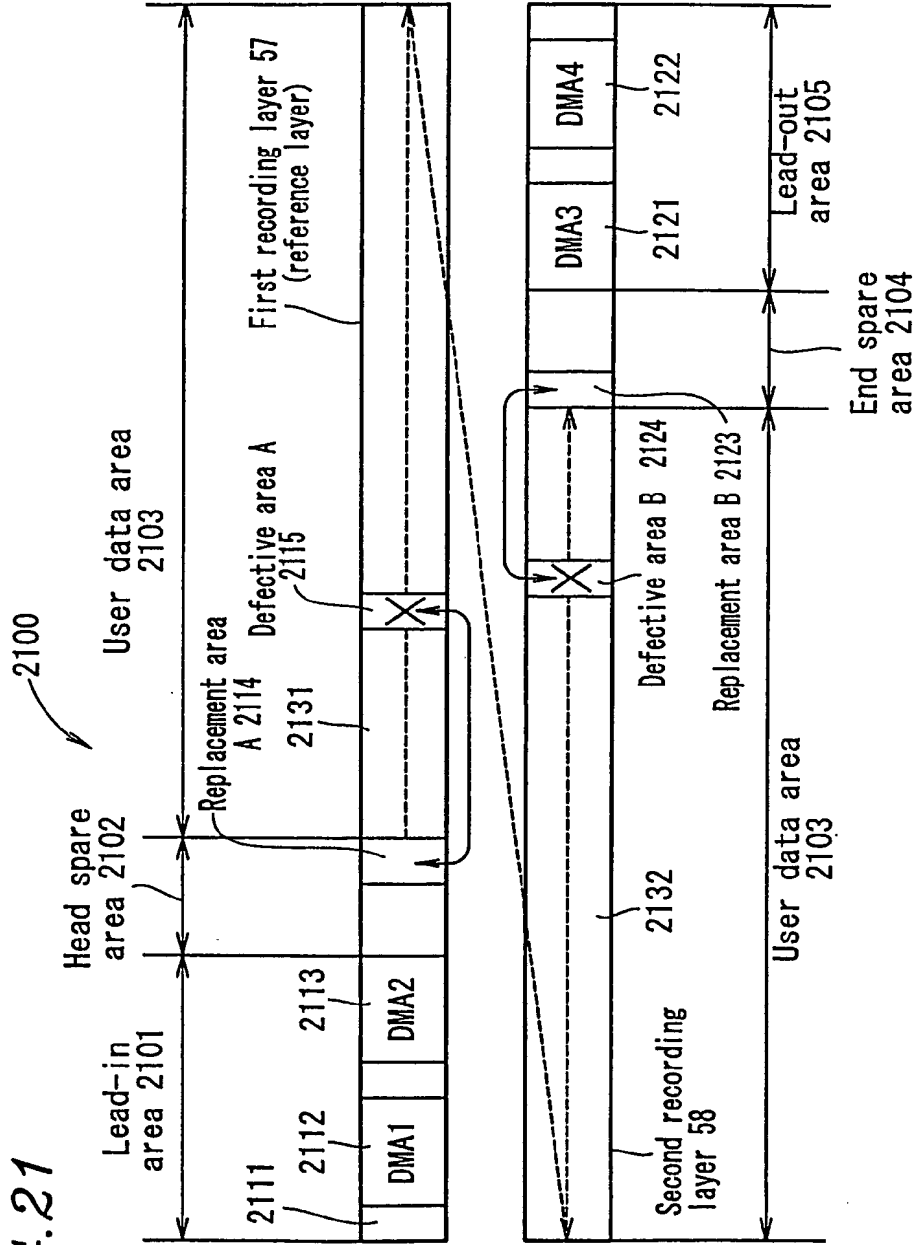
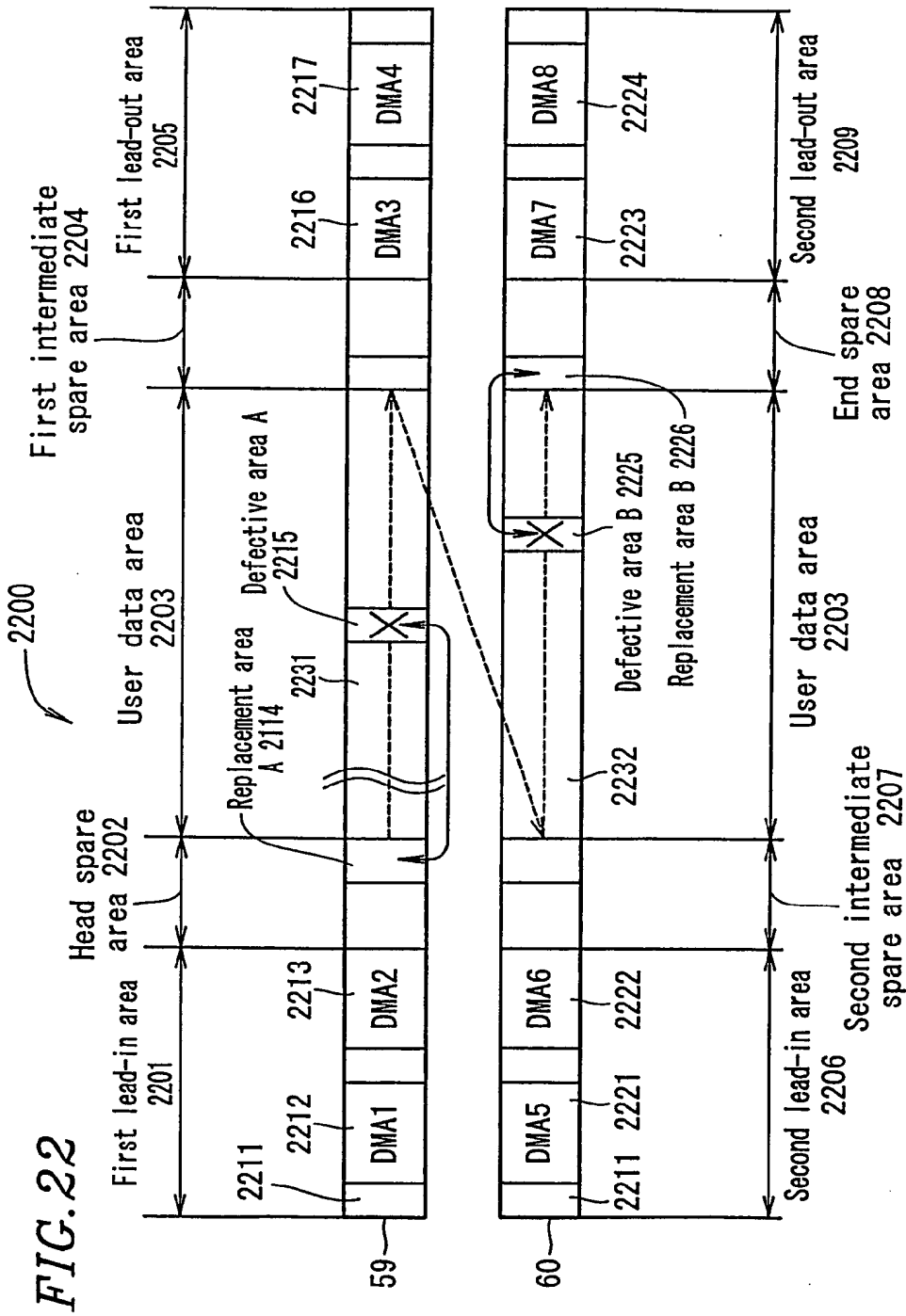


FIG. 21







European Patent
Office

EUROPEAN SEARCH REPORT

Application Number
EP 03 00 0696

| DOCUMENTS CONSIDERED TO BE RELEVANT | | | |
|---|--|---|--|
| Category | Citation of document with indication, where appropriate, of relevant passages | Relevant to claim | CLASSIFICATION OF THE APPLICATION (Int.Cl.7) |
| X | EP 1 056 089 A (TOKYO SHIBAURA ELECTRIC CO) 29 November 2000 (2000-11-29) | 1-6, 8-11, 13-35 | G11B20/18 G11B27/32 |
| A | * column 1, paragraph 1 * * column 16, paragraph 68 - column 21, paragraph 103 * | 7,12 | |
| A | --- WO 00 07186 A (LG ELECTRONICS INC) 10 February 2000 (2000-02-10) * page 1, line 9 - page 8, line 20; figures 1-6 * | 1-35 | |
| A | --- US 5 404 357 A (ITO MOTOSHI ET AL) 4 April 1995 (1995-04-04) * column 1, line 5 - column 3, line 11; figures 1-5 * | 1-35 | |
| | ----- | | |
| | | | TECHNICAL FIELDS SEARCHED (Int.Cl.7) |
| | | | G11B |
| The present search report has been drawn up for all claims | | | |
| Place of search | Date of completion of the search | Examiner | |
| MUNICH | 21 February 2003 | D'Attilia, M | |
| CATEGORY OF CITED DOCUMENTS | | T : theory or principle underlying the invention E : earlier patent document, but published on, or after the filing date D : document cited in the application L : document cited for other reasons ----- & : member of the same patent family, corresponding document | |
| X : particularly relevant if taken alone Y : particularly relevant if combined with another document of the same category A : technological background O : non-written disclosure P : intermediate document | | | |

EPO FORM 1503 03 82 (P04/C01)

ANNEX TO THE EUROPEAN SEARCH REPORT
ON EUROPEAN PATENT APPLICATION NO.

EP 03 00 0696

This annex lists the patent family members relating to the patent documents cited in the above-mentioned European search report. The members are as contained in the European Patent Office EDP file on
The European Patent Office is in no way liable for these particulars which are merely given for the purpose of information.

21-02-2003

| Patent document cited in search report | | Publication date | Patent family member(s) | Publication date |
|---|---|---------------------|----------------------------|---------------------|
| EP 1056089 | A | 29-11-2000 | JP 11232836 A | 27-08-1999 |
| | | | EP 1056089 A1 | 29-11-2000 |
| | | | US 2002191499 A1 | 19-12-2002 |
| | | | WO 9941749 A1 | 19-08-1999 |
| ----- | | | | |
| WO 0007186 | A | 10-02-2000 | KR 2000010473 A | 15-02-2000 |
| | | | KR 2000014100 A | 06-03-2000 |
| | | | KR 2000015037 A | 15-03-2000 |
| | | | AU 4657199 A | 21-02-2000 |
| | | | BR 9906652 A | 29-08-2000 |
| | | | CN 1274463 T | 22-11-2000 |
| | | | EP 1027705 A1 | 16-08-2000 |
| | | | JP 2002521787 T | 16-07-2002 |
| | | | WO 0007186 A1 | 10-02-2000 |
| ----- | | | | |
| US 5404357 | A | 04-04-1995 | JP 2887949 B2 | 10-05-1999 |
| | | | JP 5002837 A | 08-01-1993 |
| ----- | | | | |